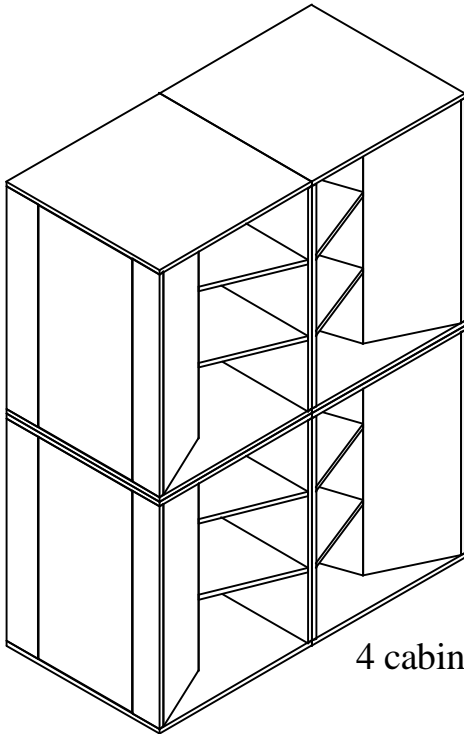
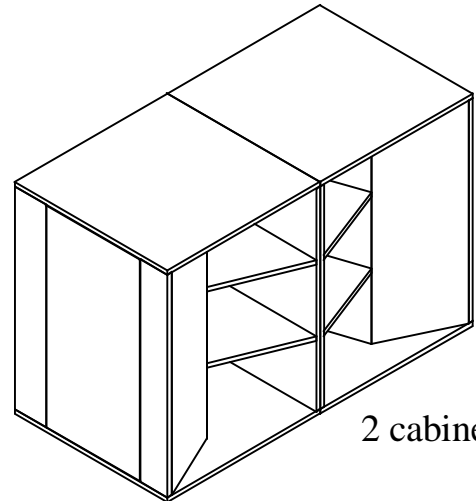


Array mounting for better results.

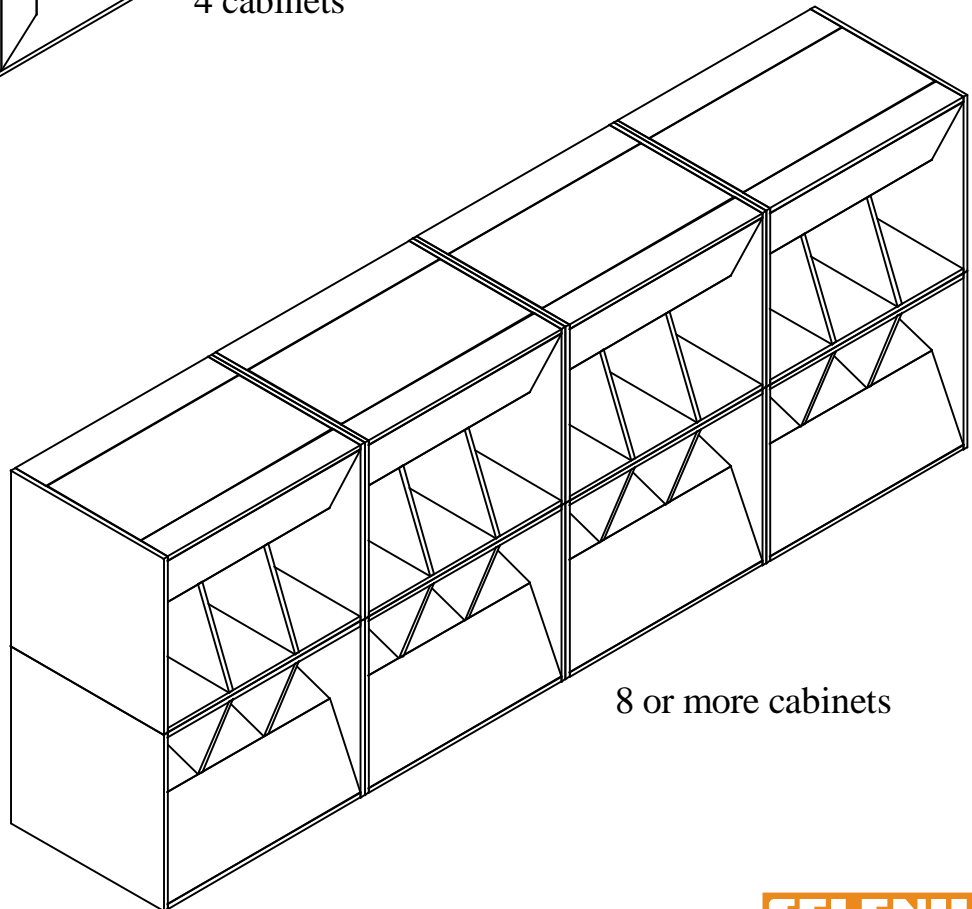
Array:  
HB1502B1  
HB1505D1  
HB1805C1



4 cabinets

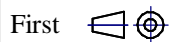


2 cabinets



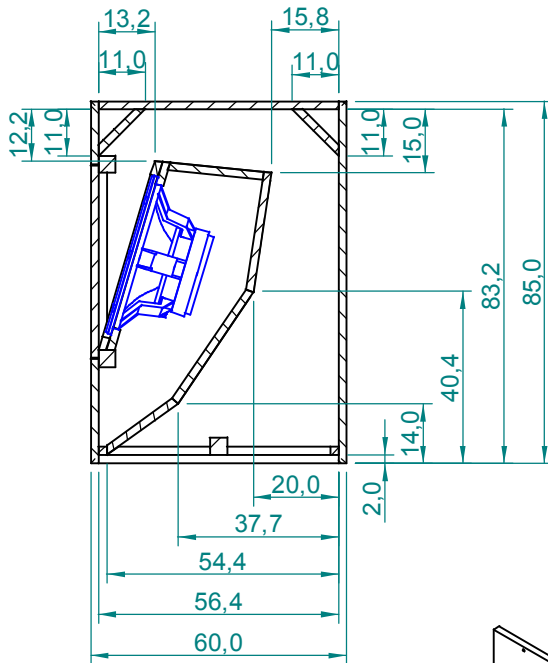
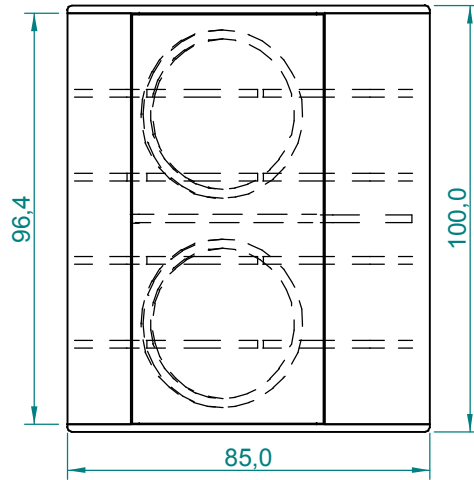
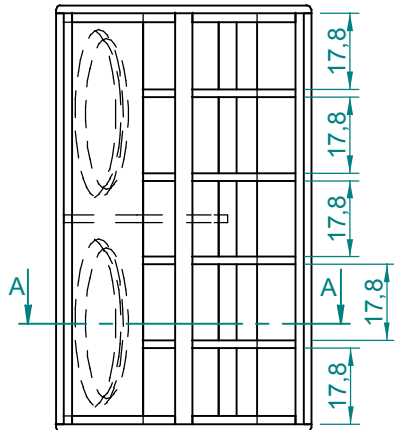
8 or more cabinets

Projection Angle:

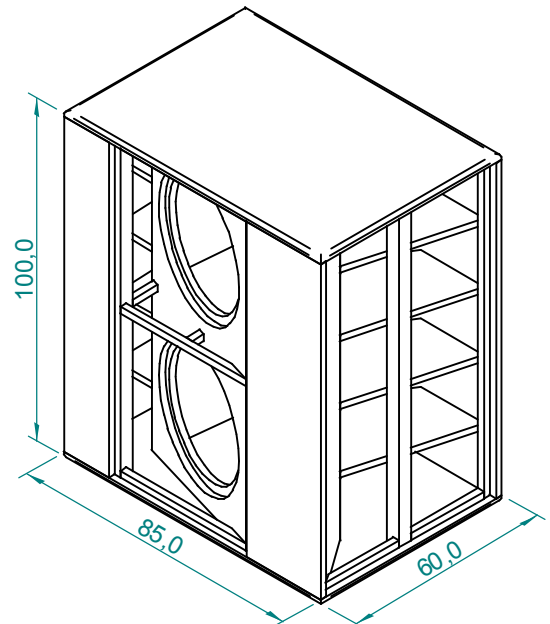
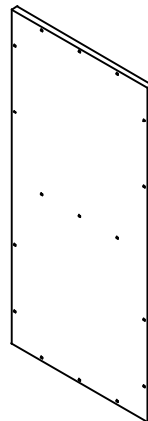


Specifications subject to  
change without notice.

08/03 - Rev.: 01 - Page: 1/1



Section A-A



Dimensions in cm.

Projection Angle:

First

Specifications subject to change without notice.

08/03 - Rev.: 01 - Page: 1/6

F:\CAIXAS ACÚSTICAS\TRIO ELÉTRICO\HB1502B1\HB1502B1IN

EUROPE Address:  
**SELENIUM EUROPE**  
Germany  
www.seleniumloudspeakers.com

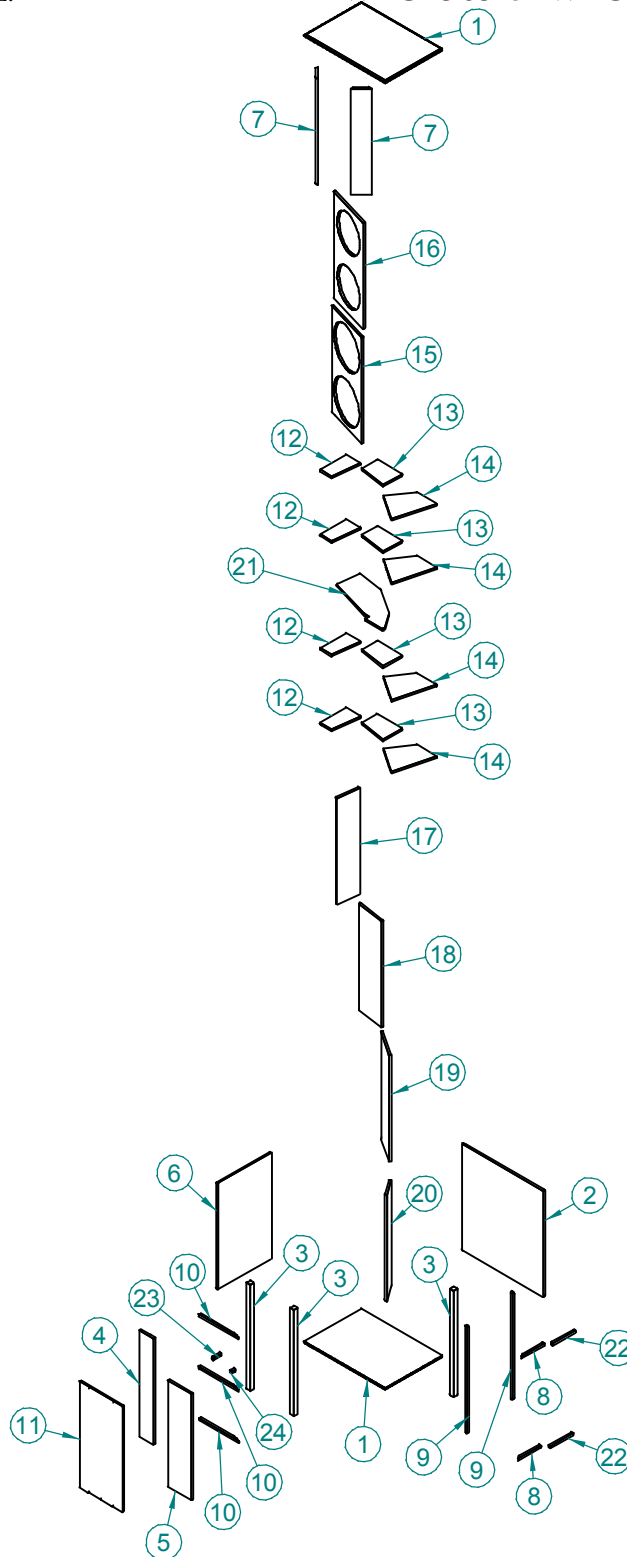
USA Address:  
**SELENIUM USA**  
USA  
www.seleniumloudspeakers.com

**SELENIUM**  
LOUDSPEAKERS

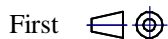
BRAZIL Address:  
**ELETRÔNICA SELENIUM S.A.**  
BR 386 Km 435 / 92.480-000  
Nova Santa Rita - RS - Brazil  
Fax: +(55) 51 479-1120  
www.selenium.com.br

Reinforced low frequency folded horn for the use on big trucks mobile sound systems (trio eletricos) and conventional PA systems. High efficiency frequency response from 40 to 200 Hz.

Components:  
15SW1P subwoofer or  
WPU1505 or WPU1507 woofer (2 pieces)



Projection Angle:



Specifications subject to  
change without notice.

08/03 - Rev.: 01 - Page: 2/6

NOTES:

Gross internal volume of the 15" low frequency chamber: 63 liters.  
Net internal volume of the 15" low frequency chamber: 57 liters.

Perimeter of the mouth of the horn: 290,0 centimeters.  
Medium length of the folded horn: 144 centimeters.

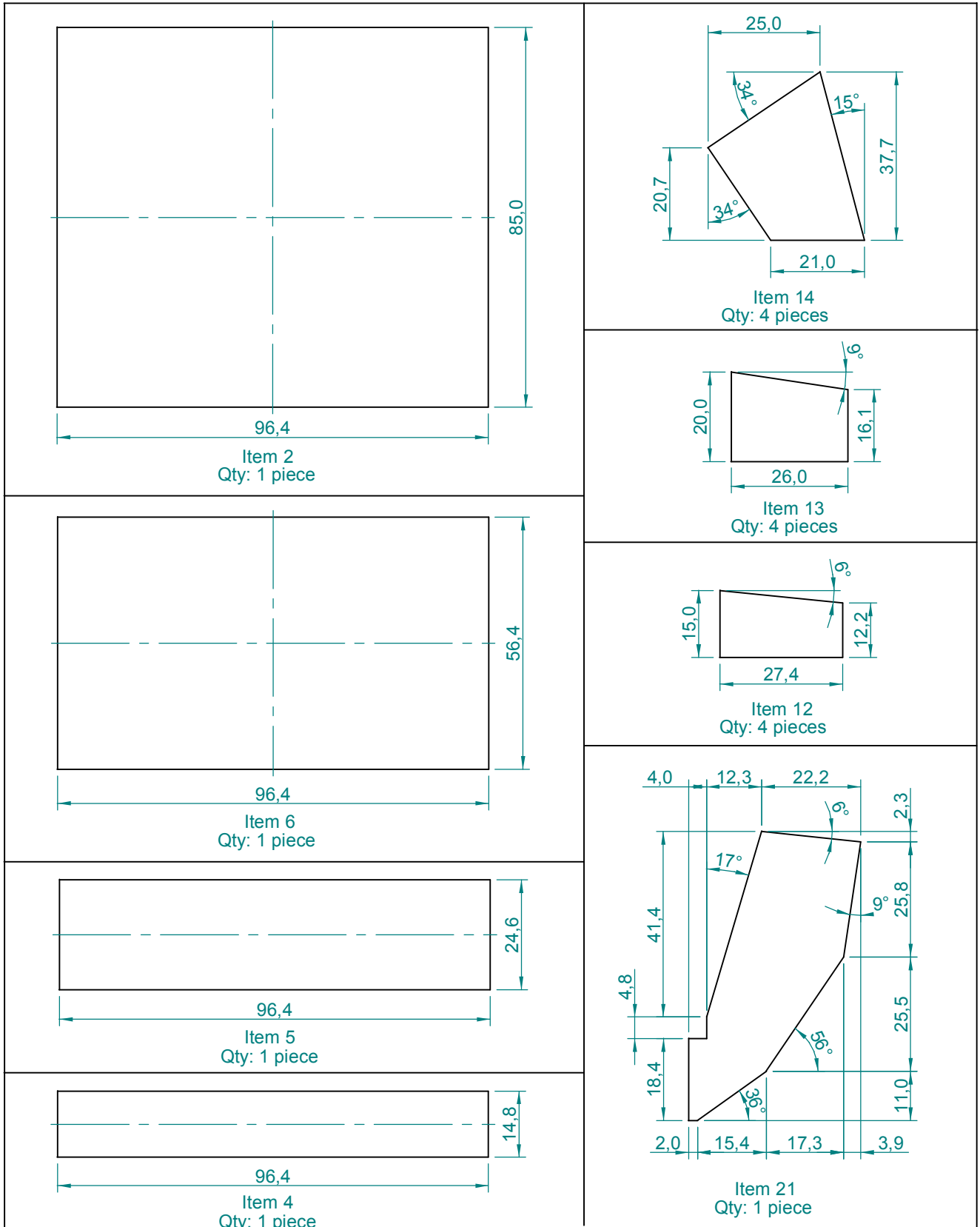
Cut off Frequency:

15" Speaker: Low: 40 Hz.  
High: 200 Hz.

Recommended Crossover: Active, Linkwitz-Riley, 24 dB/oct.

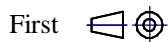
Item	Qty	Description	Material	Notes
1	2	Basis/Cover	Plywood 18 mm	
2	1	Lateral 1	Plywood 18 mm	
3	3	Frame 1	Wood 40x40 mm	
4	1	Lateral 3	Plywood 18 mm	
5	1	Lateral 2	Plywood 18 mm	
6	1	Back	Plywood 18 mm	
7	2	Corner Plate	Plywood 18 mm	
8	2	Frame 3	Wood 20x20 mm	
9	2	Frame 4	Wood 20x20 mm	
10	3	Frame 5	Wood 20x20 mm	
11	1	Lateral Panel	Plywood 18 mm	
12	4	Internal Reinforcement 1	Plywood 18 mm	
13	4	Internal Reinforcement 2	Plywood 18 mm	
14	4	Internal Reinforcement 3	Plywood 18 mm	
15	1	Internal Panel 1	Plywood 18 mm	
16	1	Internal Panel 2	Plywood 18 mm	
17	1	Exponential 1	Plywood 18 mm	
18	1	Exponential 2	Plywood 18 mm	
19	1	Exponential 3	Plywood 18 mm	
20	1	Exponential 4	Plywood 18 mm	
21	1	Partition	Plywood 18 mm	
22	2	Frame 2	Wood 20x20 mm	
23	1	Reinforcement 2 of the Frame	Wood 20x20 mm	
24	1	Reinforcement 1 of the Frame	Wood 20x20 mm	

Specifications subject to  
change without notice.

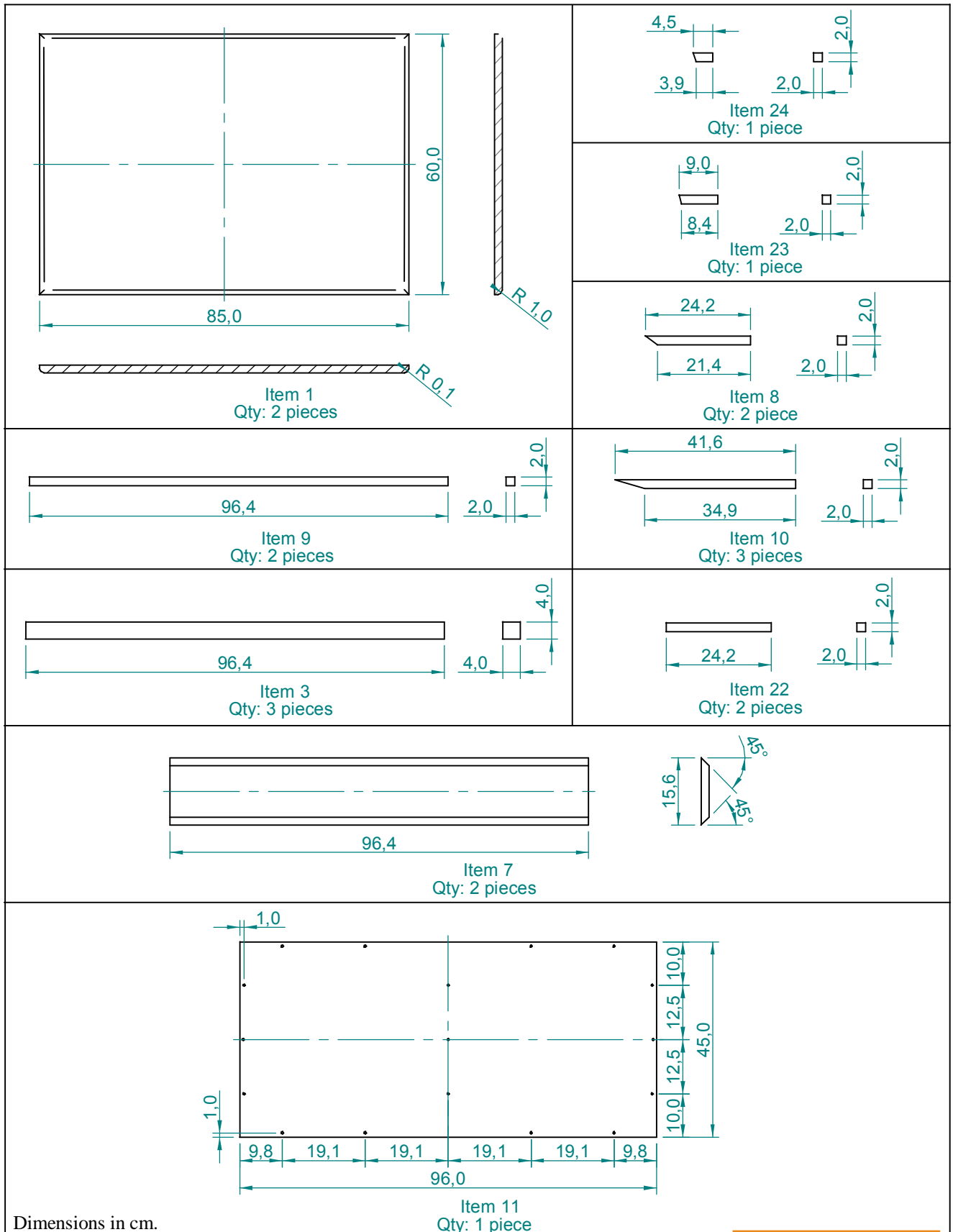


Dimensions in cm.

Projection Angle:



Specifications subject to change without notice.

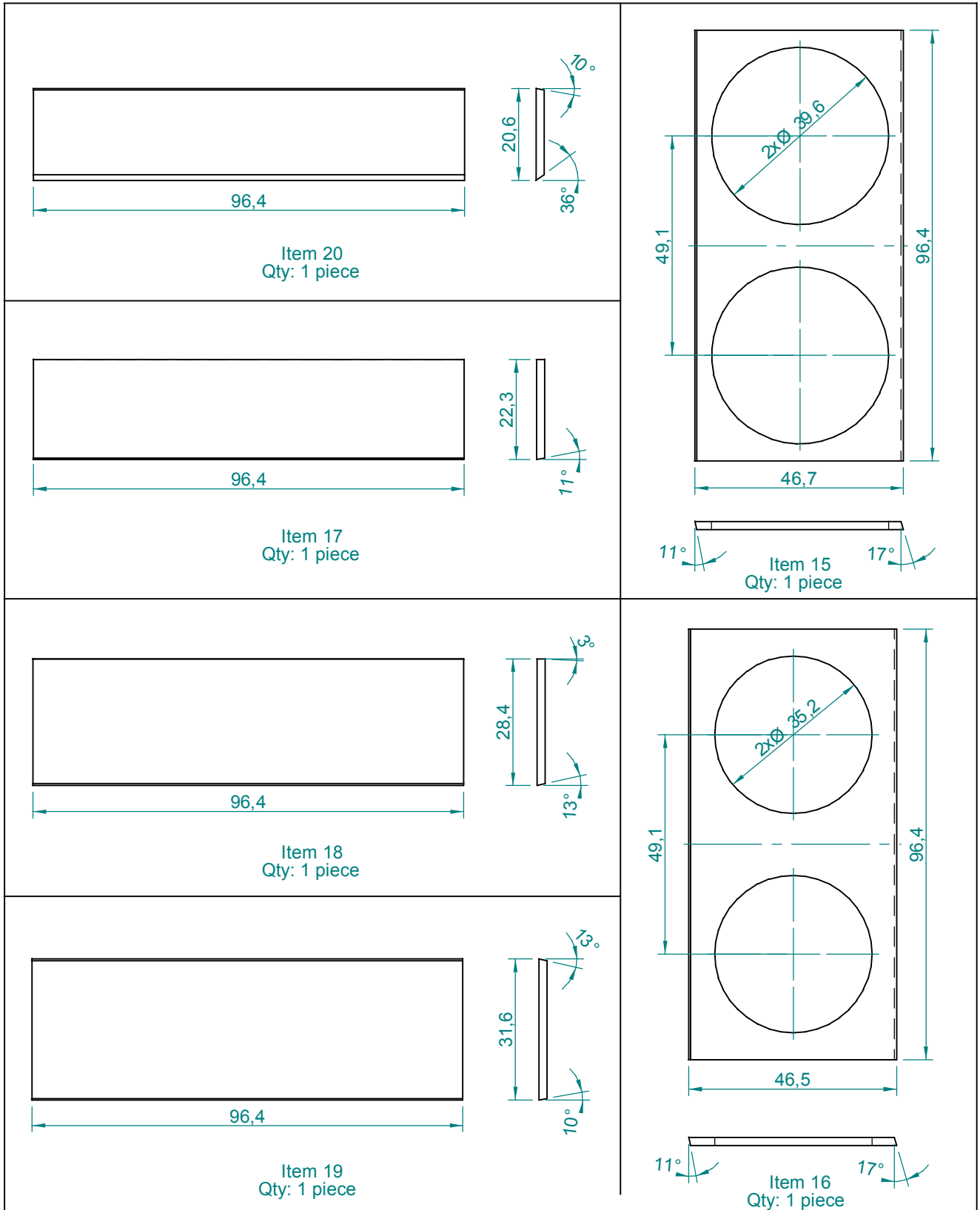


Dimensions in cm.

Projection Angle:



First

Specifications subject to change without notice.

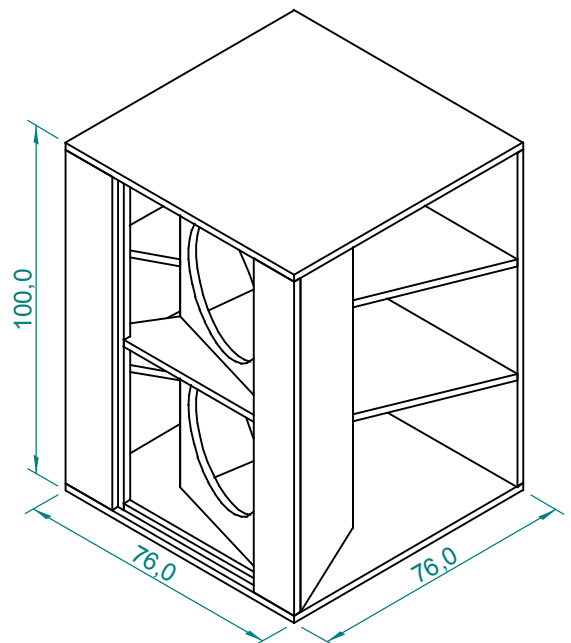
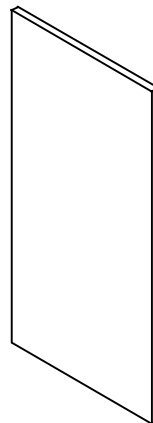
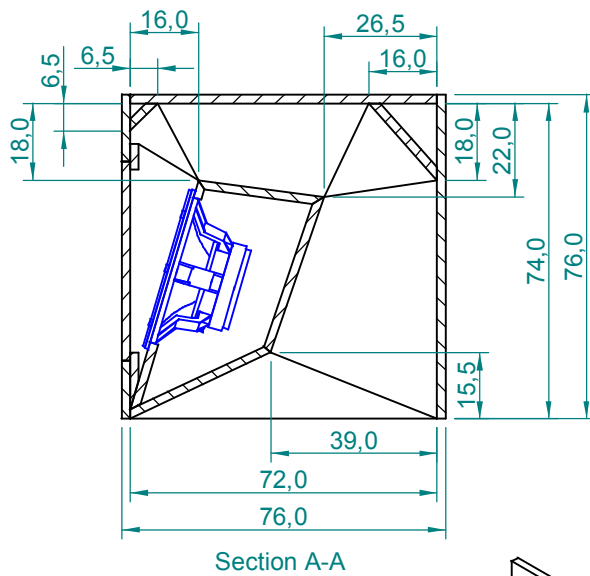
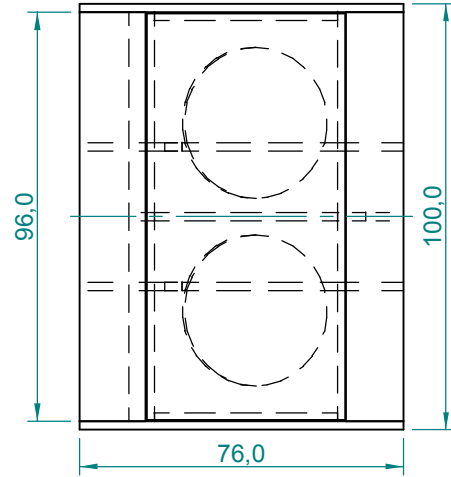
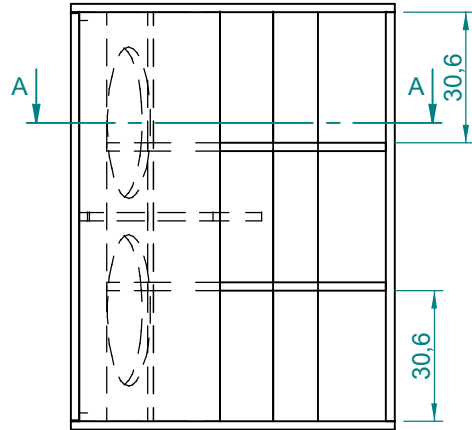


Dimensions in cm.

Projection Angle:

First  

Specifications subject to  
change without notice.



Dimensions in cm.

Projection Angle:

First

Specifications subject to change without notice.

08/03 - Rev.: 01 - Page: 1/6

F:\CAIXAS ACÚSTICAS\GRAVES\HB1505D1\HB1505D1\INGLES

EUROPE Address:  
**SELENIUM EUROPE**  
Germany  
[www.seleniumloudspeakers.com](http://www.seleniumloudspeakers.com)

USA Address:  
**SELENIUM USA**  
USA  
[www.seleniumloudspeakers.com](http://www.seleniumloudspeakers.com)

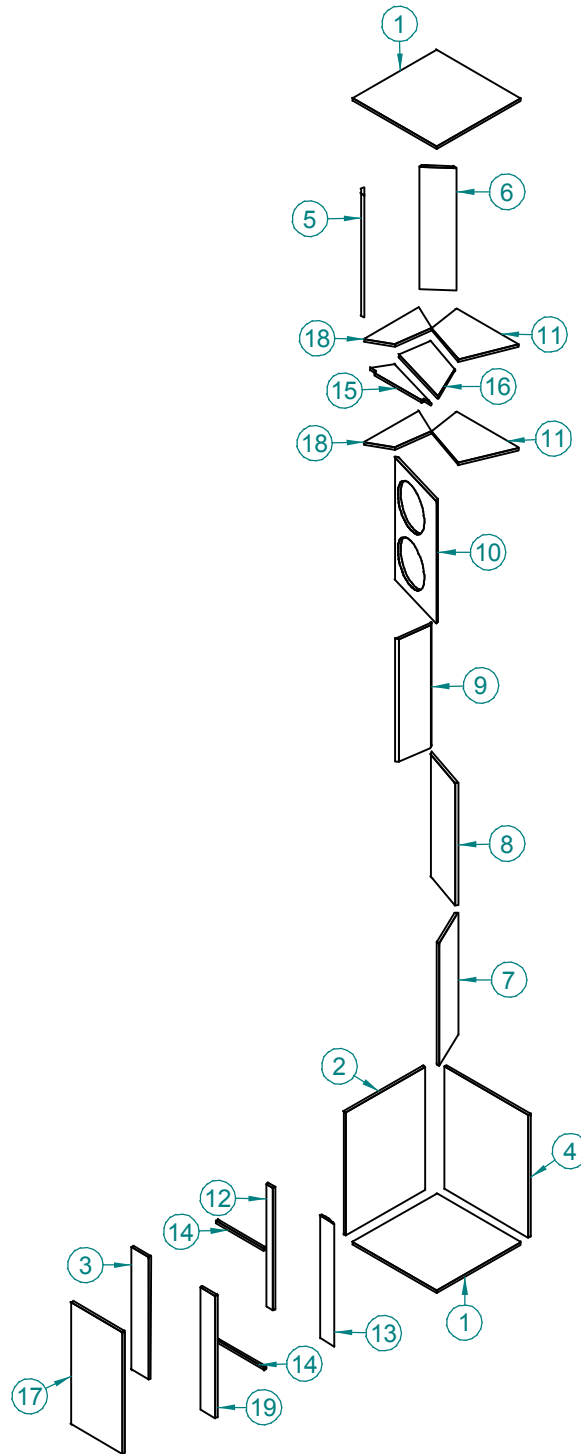
**SELENIUM**  
LOUDSPEAKERS

BRAZIL Address:  
**ELETRÔNICA SELENIUM S.A.**  
BR 386 Km 435 / 92.480-000  
Nova Santa Rita - RS - Brazil  
Fax: +(55) 51 479-1120  
[www.selenium.com.br](http://www.selenium.com.br)



Is a folded horn that features excellent performance in the bass and sub-bass frequency range which can be used from 40 to 200 Hz with maximum efficiency.

Components:  
15SW1P subwoofer or  
WPU1505 or WPU1507 woofer (2 pieces)



Projection Angle:

First

Specifications subject to change without notice.

08/03 - Rev.: 01 - Page: 2/6

F:\CAIXAS ACÚSTICAS\GRAVES\HB1505D1\HB1505D1\INGLES

EUROPE Address:  
**SELENIUM EUROPE**  
Germany  
[www.seleniumloudspeakers.com](http://www.seleniumloudspeakers.com)

USA Address:  
**SELENIUM USA**  
USA  
[www.seleniumloudspeakers.com](http://www.seleniumloudspeakers.com)

NOTES:

Net internal volume of the 15" low frequency driver chamber: 45 liters (each).

Perimeter of the mouth of the horn: 336,0 centimeters.

Medium length of the folded horn: 147,6 centimeters.

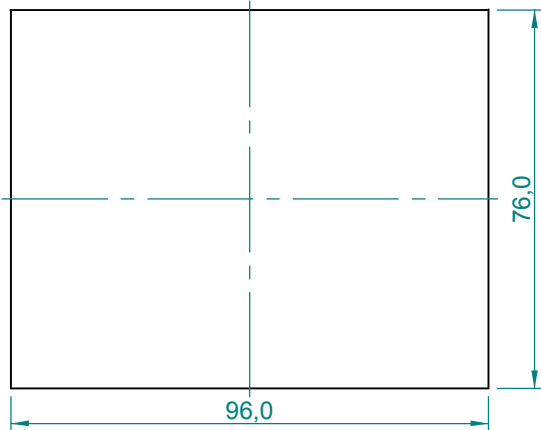
Cut off Frequency:

15" Speaker: Low: 40 Hz.  
High: 200 Hz.

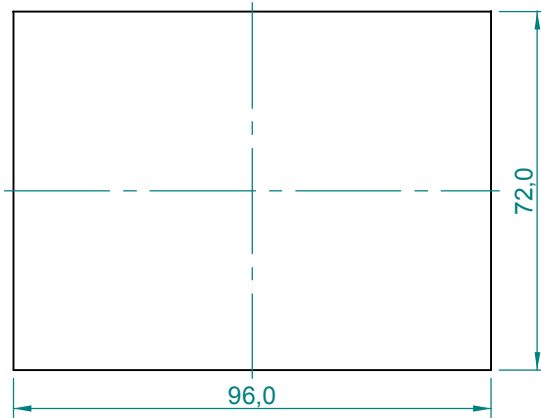
Recommended Crossover: Active, Linkwitz-Riley, 24 dB/oct.

Item	Qty	Description	Material	Notas
1	2	Top/Botton	Plywood 20 mm	
2	1	Back	Plywood 20 mm	
3	1	Lateral 2	Plywood 20 mm	
4	1	Lateral 1	Plywood 20 mm	
5	1	Corner Plate 2	Plywood 20 mm	
6	1	Corner Plate 1	Plywood 20 mm	
7	1	Exponential 3	Plywood 20 mm	
8	1	Exponential 2	Plywood 20 mm	
9	1	Exponential 1	Plywood 20 mm	
10	1	Internal Panel	Plywood 20 mm	
11	2	Partition 1	Plywood 20 mm	
12	1	Frame 1	Plywood 20 mm	
13	1	Frame 2	Plywood 20 mm	
14	2	Frame 3	Plywood 20 mm	
15	1	Partition 2	Plywood 20 mm	
16	1	Partition 3	Plywood 20 mm	
17	1	Lateral Panel	Plywood 20 mm	
18	2	Partition 4	Plywood 20 mm	
19	1	Lateral 3	Plywood 20 mm	

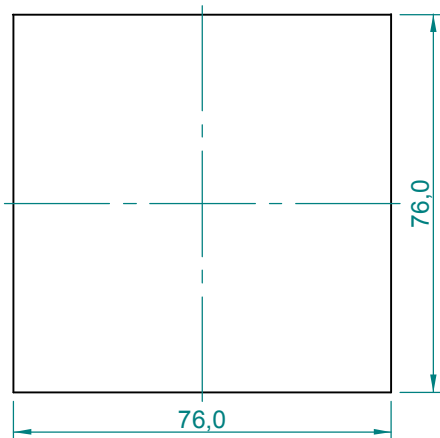
Specifications subject to  
change without notice.



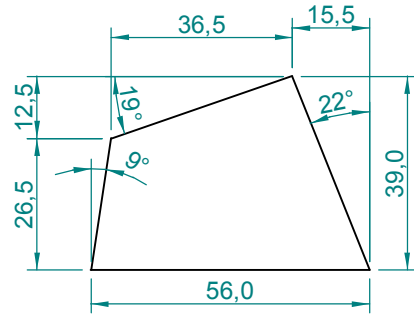
Item 4  
Qty: 1 piece



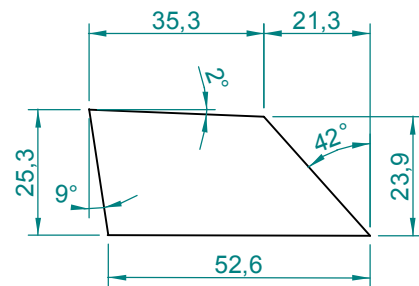
Item 2  
Qty: 1 piece



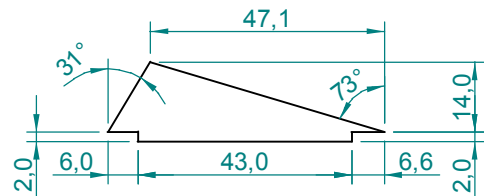
Item 1  
Qty: 2 pieces



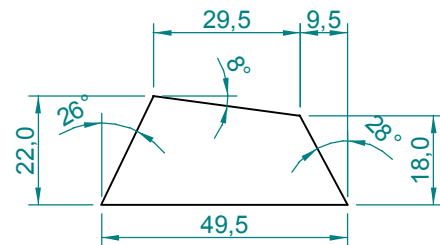
Item 11  
Qty: 2 pieces



Item 15  
Qty: 1 piece



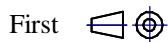
Item 15  
Qty: 1 piece



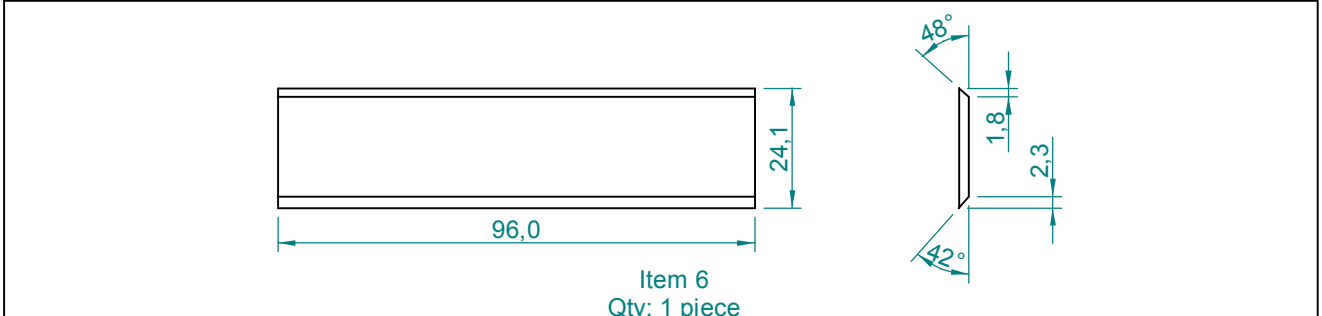
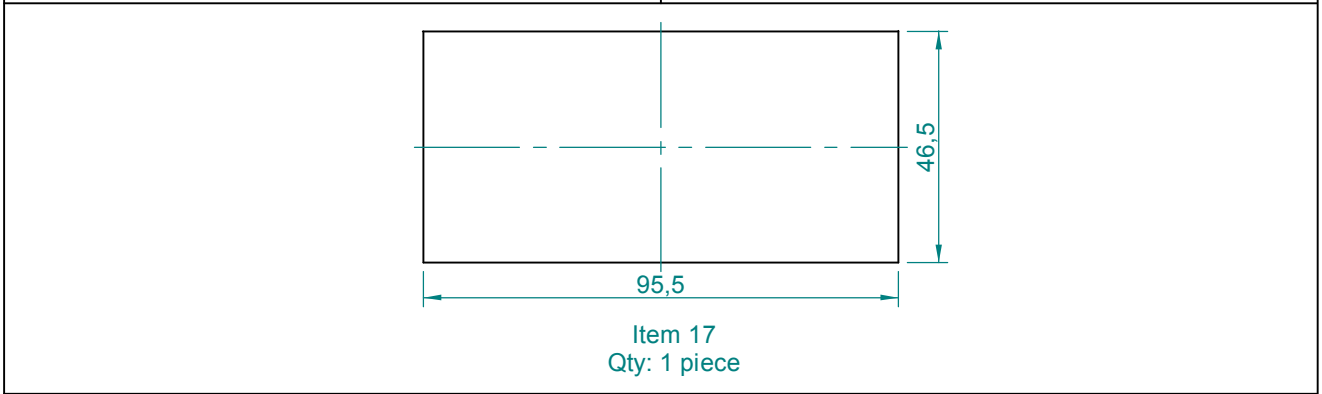
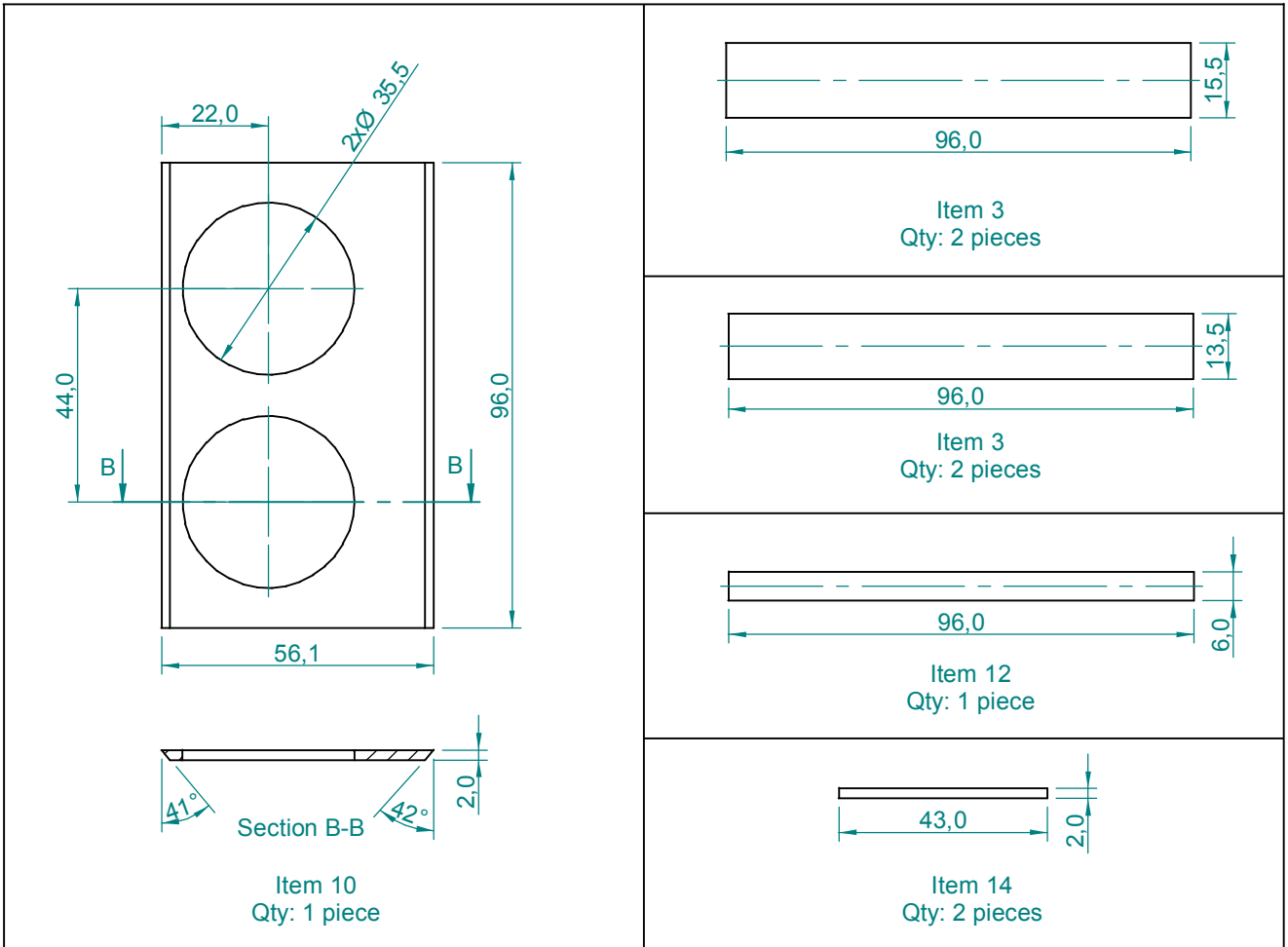
Item 18  
Qty: 2 pieces

Dimensions in cm.

Projection Angle:

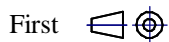


Specifications subject to  
change without notice.

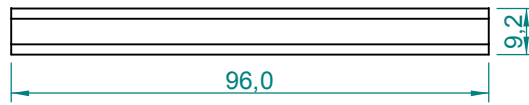


Dimensions in cm.

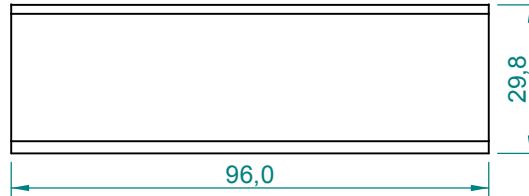
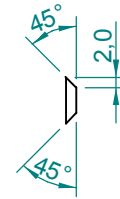
Projection Angle:



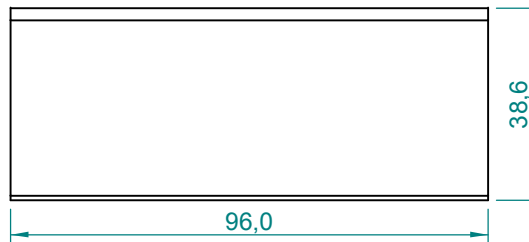
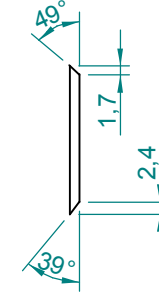
Specifications subject to change without notice.



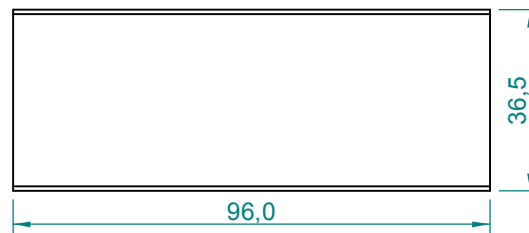
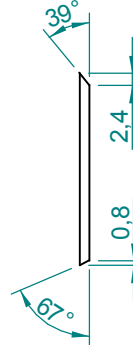
Item 5  
Qty: 1 piece



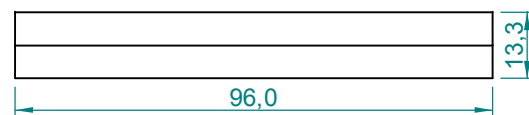
Item 9  
Qty: 1 piece



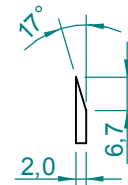
Item 8  
Qty: 1 piece



Item 7  
Qty: 1 piece

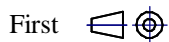


Item 13  
Qty: 1 piece

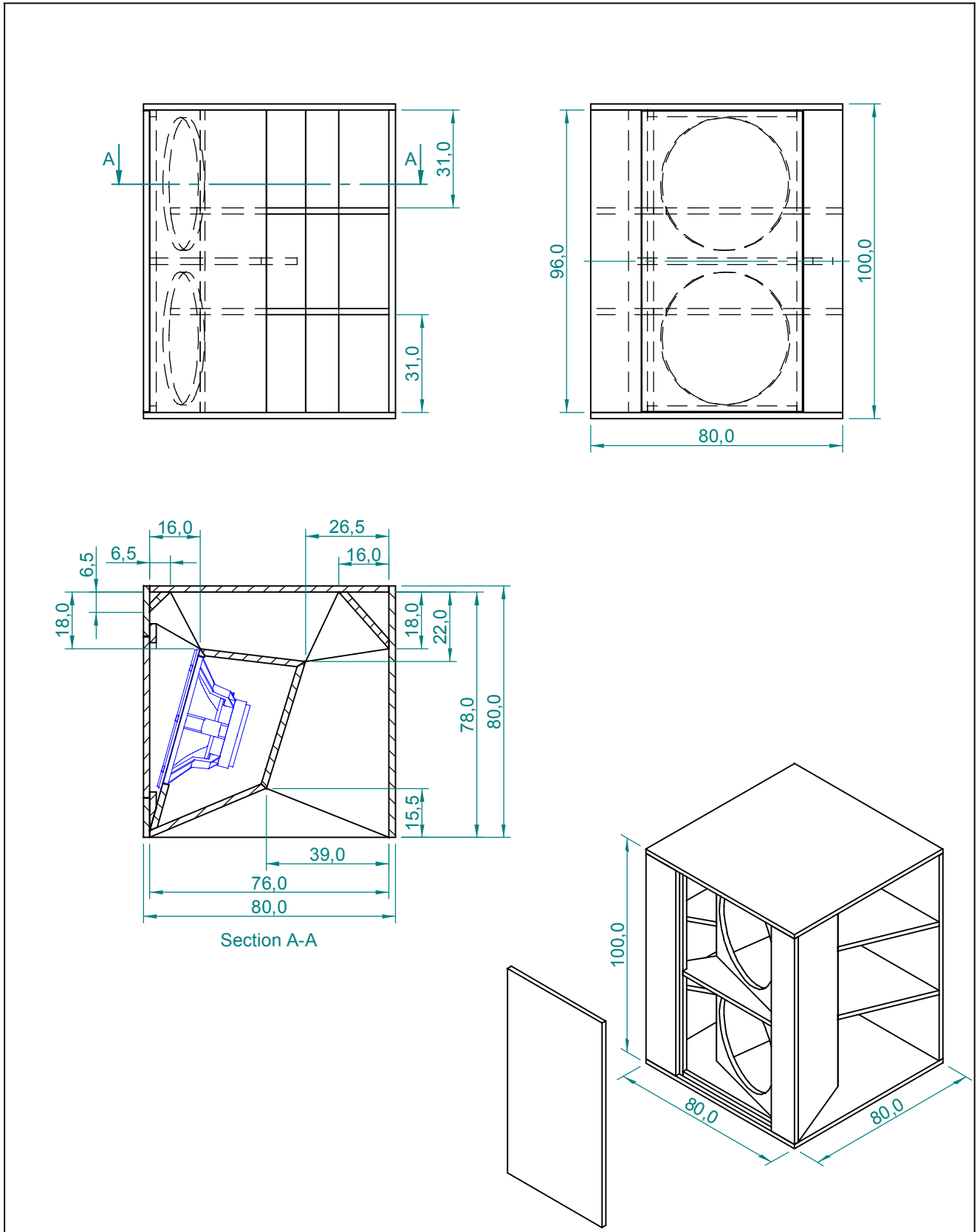


Dimensions in cm.

Projection Angle:



Specifications subject to  
change without notice.



Dimensions in cm.

Projection Angle:

First

Specifications subject to  
change without notice.

08/03 - Rev.: 01 - Page: 1/6

F:\CAIXAS ACÚSTICAS\GRAVES\HB1805C1\HB1805C1\INGLES

EUROPE Address:  
**SELENIUM EUROPE**  
Germany  
[www.seleniumloudspeakers.com](http://www.seleniumloudspeakers.com)

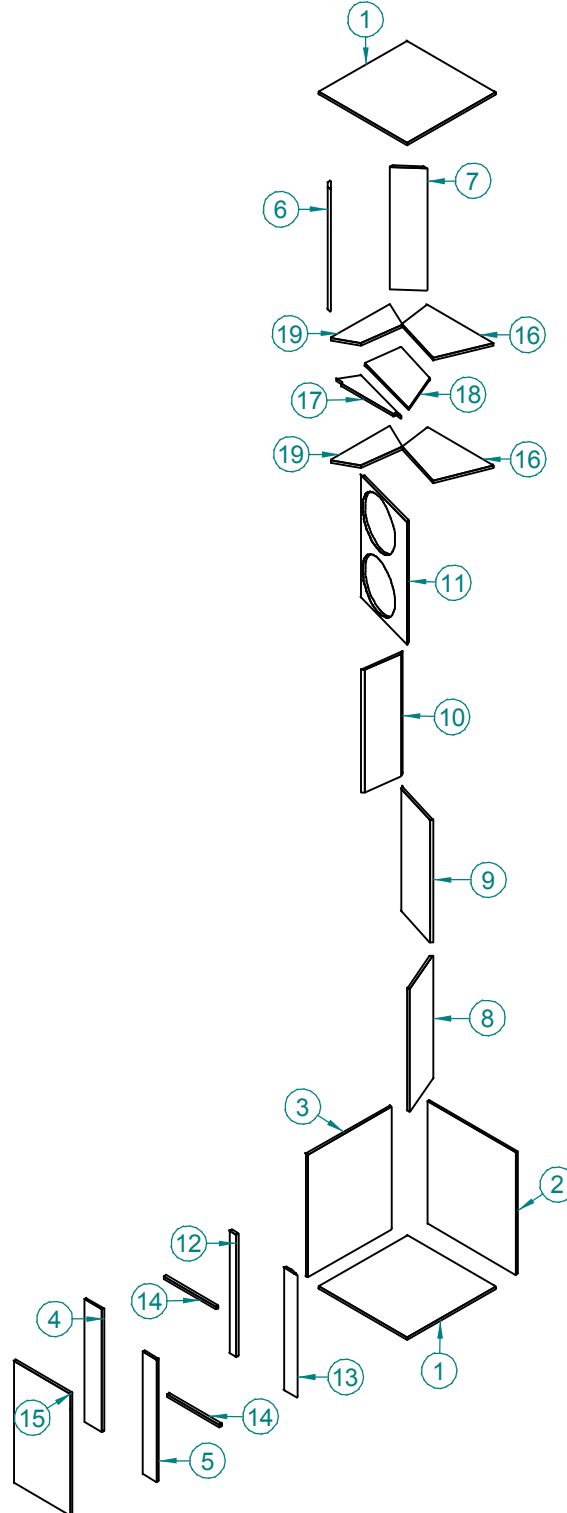
USA Address:  
**SELENIUM USA**  
USA  
[www.seleniumloudspeakers.com](http://www.seleniumloudspeakers.com)

**SELENIUM**  
LOUDSPEAKERS

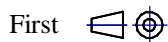
BRAZIL Address:  
**ELETRÔNICA SELENIUM S.A.**  
BR 386 Km 435 / 92.480-000  
Nova Santa Rita - RS - Brazil  
Fax: +(55) 51 479-1120  
[www.selenium.com.br](http://www.selenium.com.br)

Is a folded horn that features excellent performance in the bass and sub-bass frequency range which can be used from 40 to 200 Hz with maximum efficiency.

**Components:**  
18SW1P or 18SW2P subwoofer or  
WPU1805 or WPU1807 woofer (2 pieces)



Projection Angle:



Specifications subject to  
change without notice.

08/03 - Rev.: 01 - Page: 2/6

NOTES:

Net internal volume of the 18" low frequency driver chamber: 42 liters (each).

Perimeter of the mouth of the horn: 344,0 centimeters.

Medium length of the folded horn: 159,4 centimeters.

Cut off Frequency:

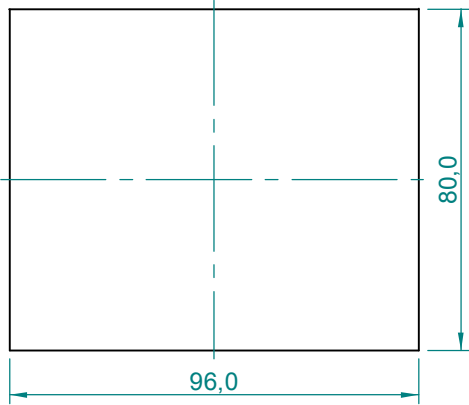
18" Speaker: Low: 40 Hz.  
High: 200 Hz.

Reccomended Crossover: Active, Linkwitz-Riley, 24 dB/oct.

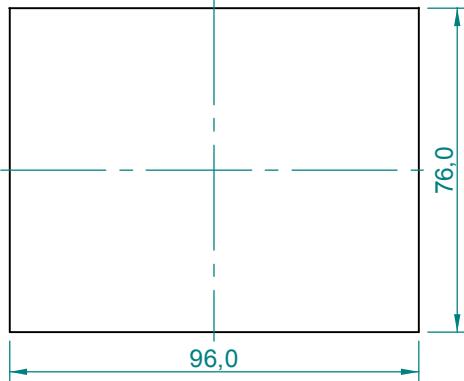
Item	Qty	Description	Material	Notes
1	2	Top/Botton	Plywood 20 mm	
2	1	Lateral 1	Plywood 20 mm	
3	1	Back	Plywood 20 mm	
4	1	Lateral 2	Plywood 20 mm	
5	1	Lateral 3	Plywood 20 mm	
6	1	Corner Plate 2	Plywood 20 mm	
7	1	Corner Plate 1	Plywood 20 mm	
8	1	Exponential 1	Plywood 20 mm	
9	1	Exponential 2	Plywood 20 mm	
10	1	Exponential 3	Plywood 20 mm	
11	1	Internal Panel	Plywood 20 mm	
12	1	Frame 1	Plywood 20 mm	
13	1	Frame 2	Plywood 20 mm	
14	2	Frame 3	Plywood 20 mm	
15	1	Lateral Panel	Plywood 20 mm	
16	2	Partition 1	Plywood 20 mm	
17	1	Partition 2	Plywood 20 mm	
18	1	Partition 3	Plywood 20 mm	
19	2	Partition 4	Plywood 20 mm	

Specifications subject to  
change without notice.

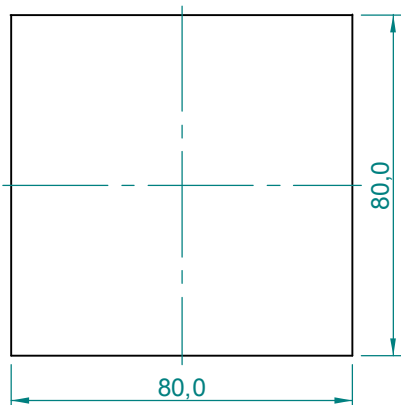




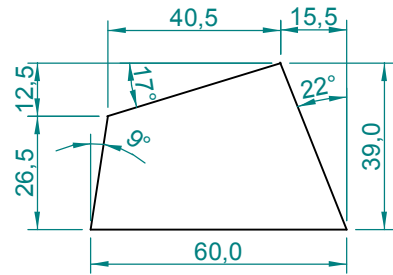
Item 2  
Qty: 1 piece



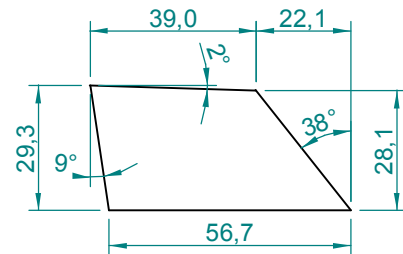
Item 3  
Qty: 1 piece



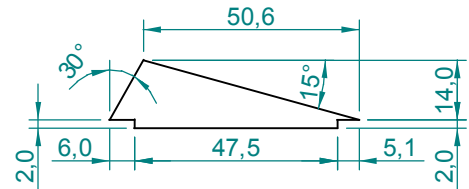
Item 1  
Qty: 2 pieces



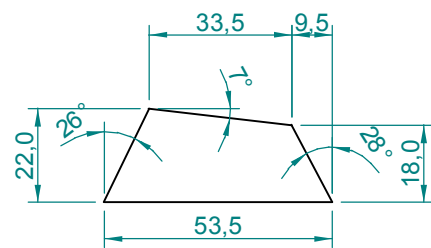
Item 16  
Qty: 2 pieces



Item 18  
Qty: 1 piece



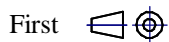
Item 17  
Qty: 1 piece



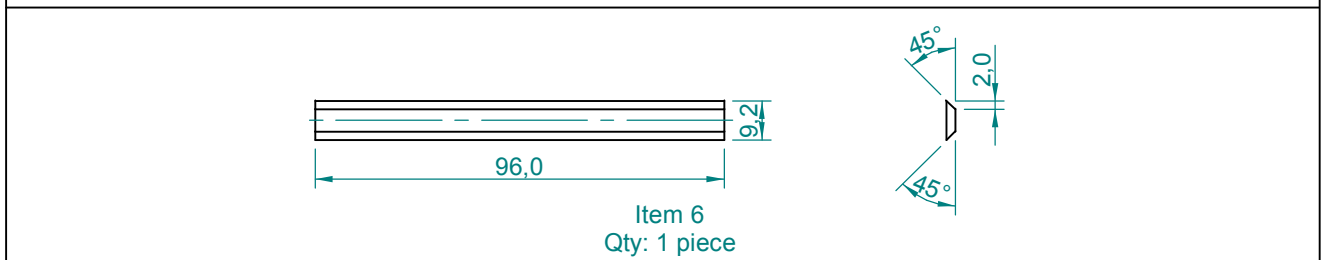
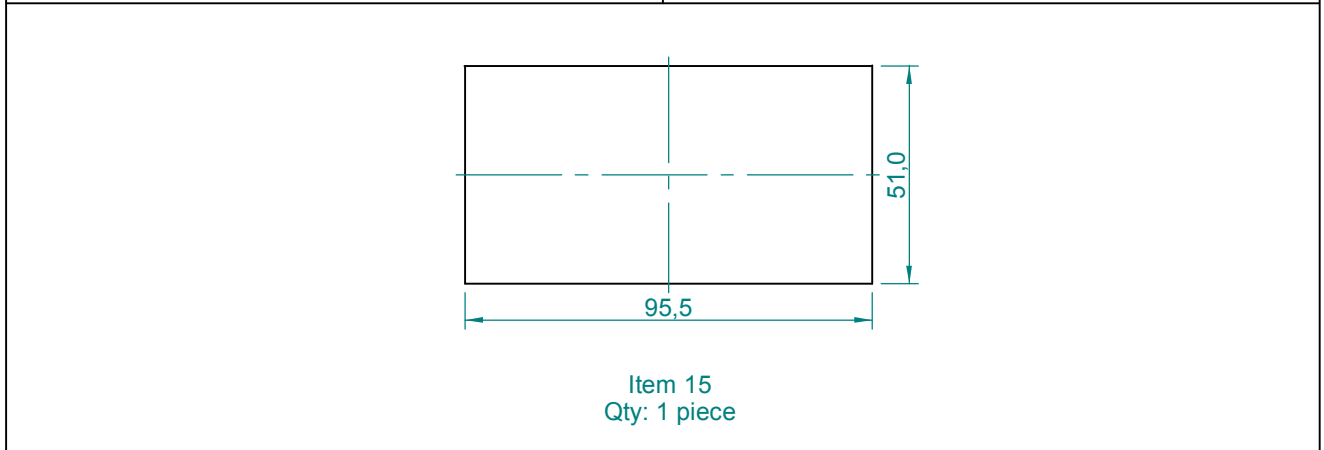
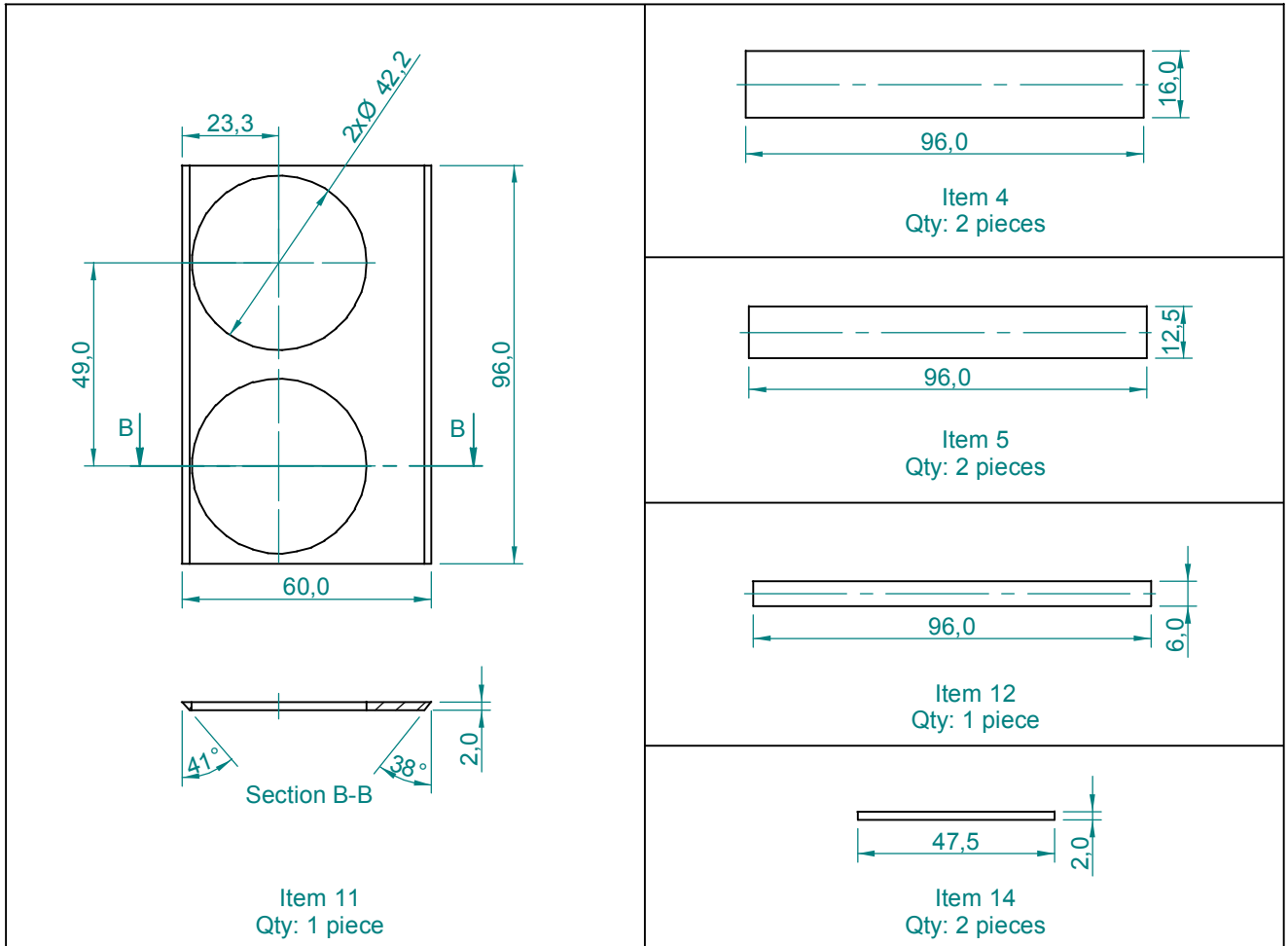
Item 19  
Qty: 2 pieces

Dimensions in cm.

Projection Angle:

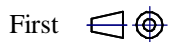


Specifications subject to  
change without notice.

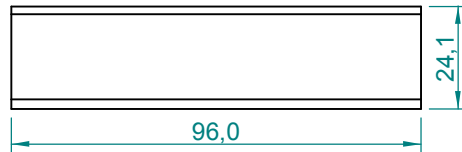


Dimensions in cm.

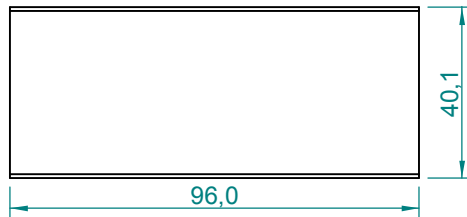
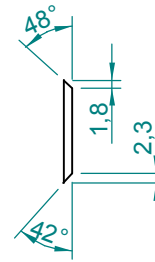
Projection Angle:



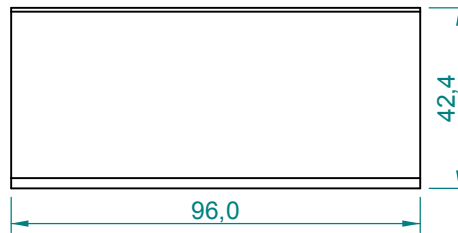
Specifications subject to  
change without notice.



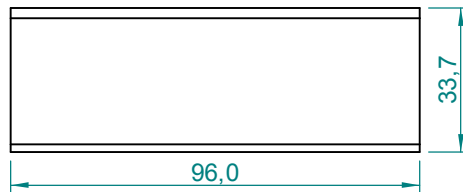
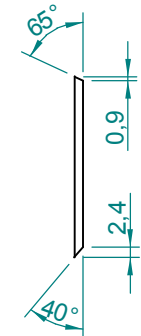
Item 7  
Qty: 1 piece



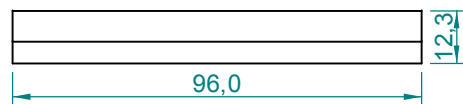
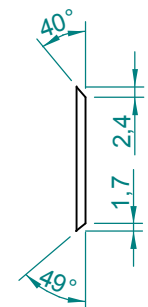
Item 10  
Qty: 1 piece



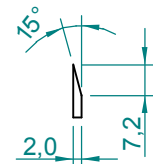
Item 9  
Qty: 1 piece



Item 8  
Qty: 1 piece

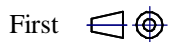


Item 13  
Qty: 1 piece

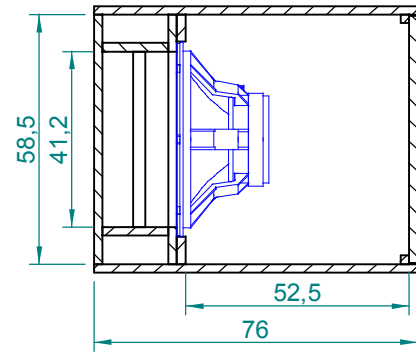
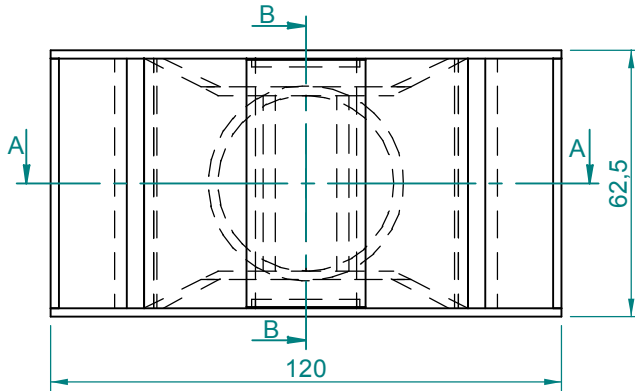


Dimensions in cm.

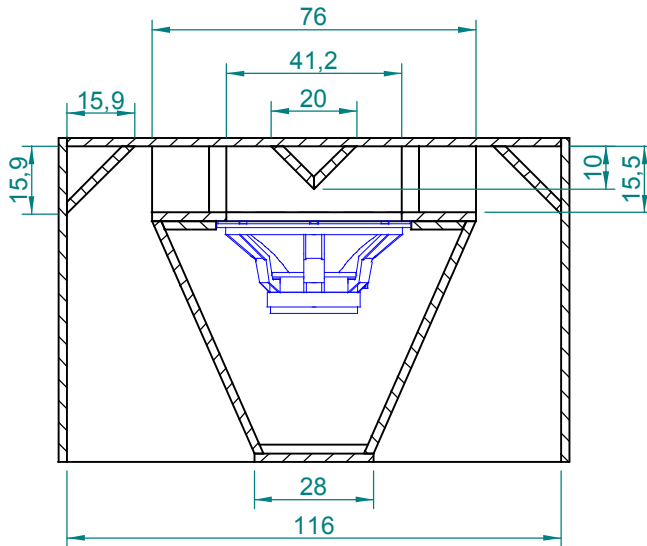
Projection Angle:



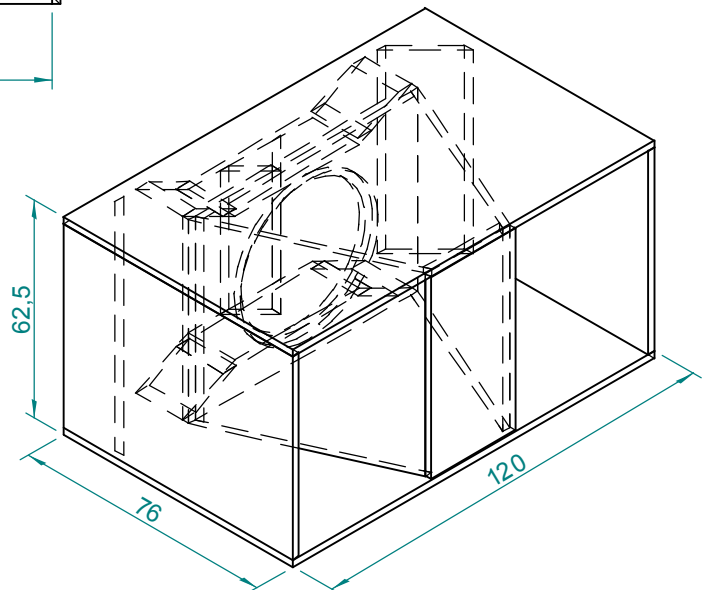
Specifications subject to  
change without notice.



Section B-B



Section A-A



Dimensions in cm.

Projection Angle:

First

Specifications subject to  
change without notice.

05/03 - Rev.: 00 - Page: 1/5

F:\CAIXAS ACÚSTICAS\SUBGRAVES\HB1805A1\HB1805A1INGLÊS

EUROPE Address:  
**SELENIUM EUROPE**  
Germany  
[www.seleniumloudspeakers.com](http://www.seleniumloudspeakers.com)

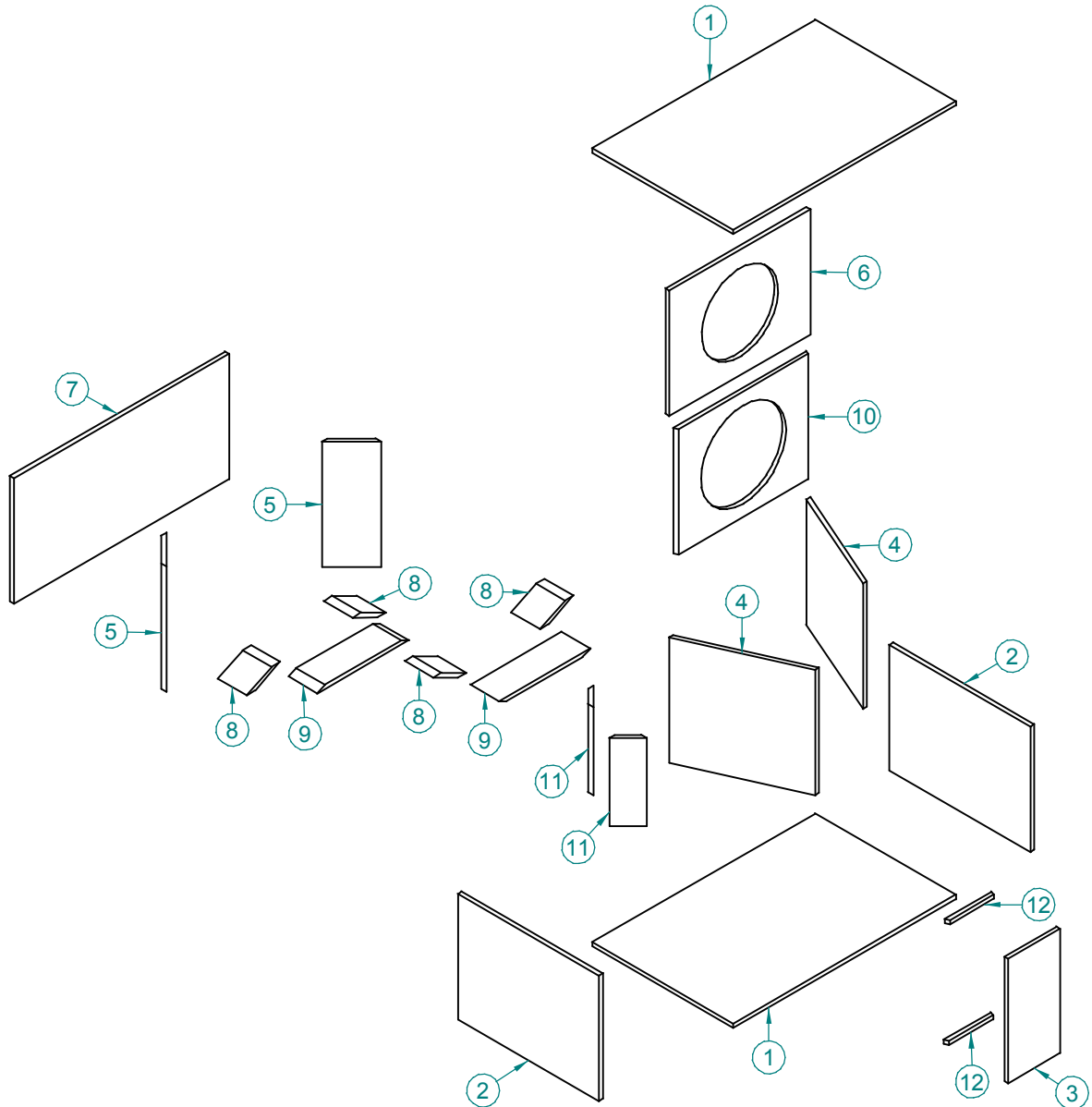
USA Address:  
**SELENIUM USA**  
USA  
[www.seleniumloudspeakers.com](http://www.seleniumloudspeakers.com)

**SELENIUM**  
LOUDSPEAKERS

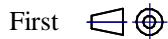
BRAZIL Address:  
**ELETRÔNICA SELENIUM S.A.**  
BR 386 Km 435 / 92.480-000  
Nova Santa Rita - RS - Brazil  
Fax: +(55) 51 479-1120  
[www.selenium.com.br](http://www.selenium.com.br)

Is a folded horn that features excellent performance in the bass and sub-bass frequency range which can be used from 40 to 100 Hz with maximum efficiency.

Components:  
18SW1P or 18SW2P subwoofer or  
WPU1805 or WPU1807 woofer (1 piece)



Projection Angle:



Specifications subject to  
change without notice.

05/03 - Rev.: 00 - Page: 2/5

NOTES:

Net internal volume of the 18" low frequency driver chamber: 140 liters.

Perimeter of the mouth of the horn: 205 centimeters.  
Medium length of the folded horn: 111,7 centimeters.

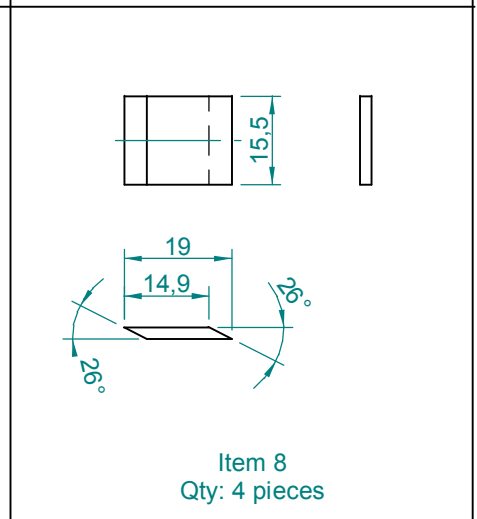
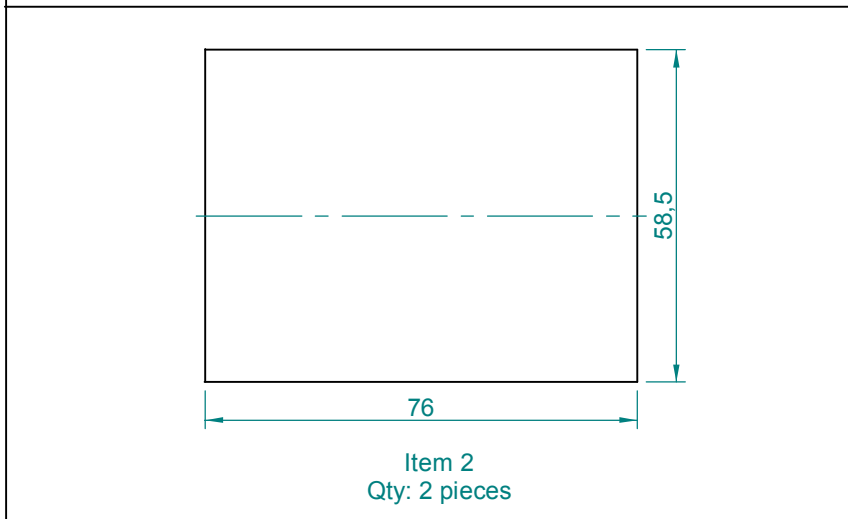
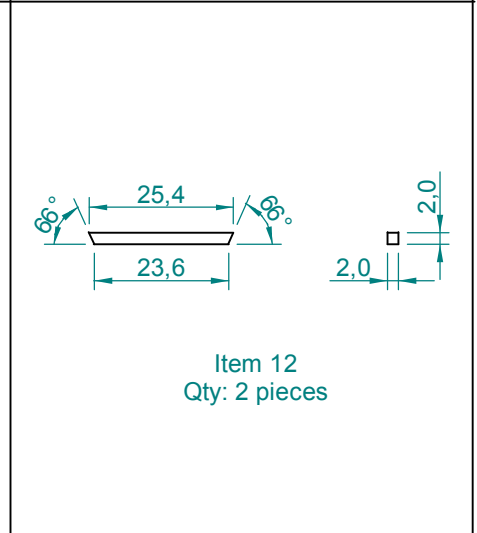
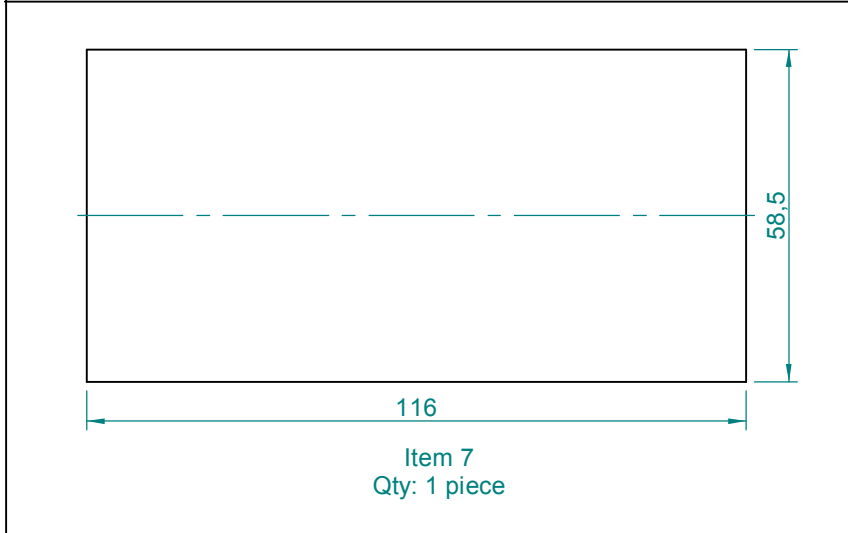
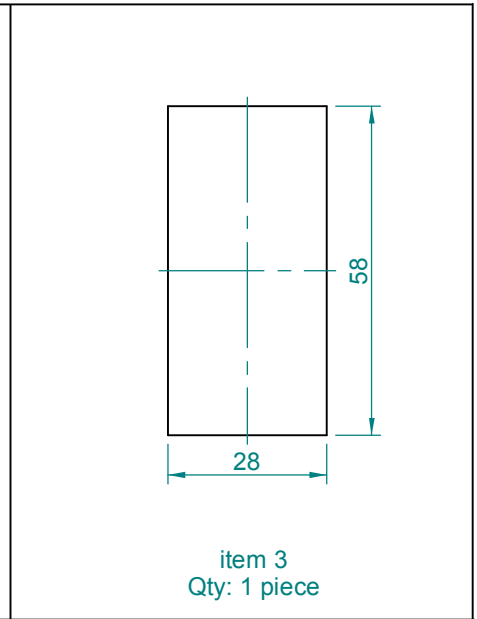
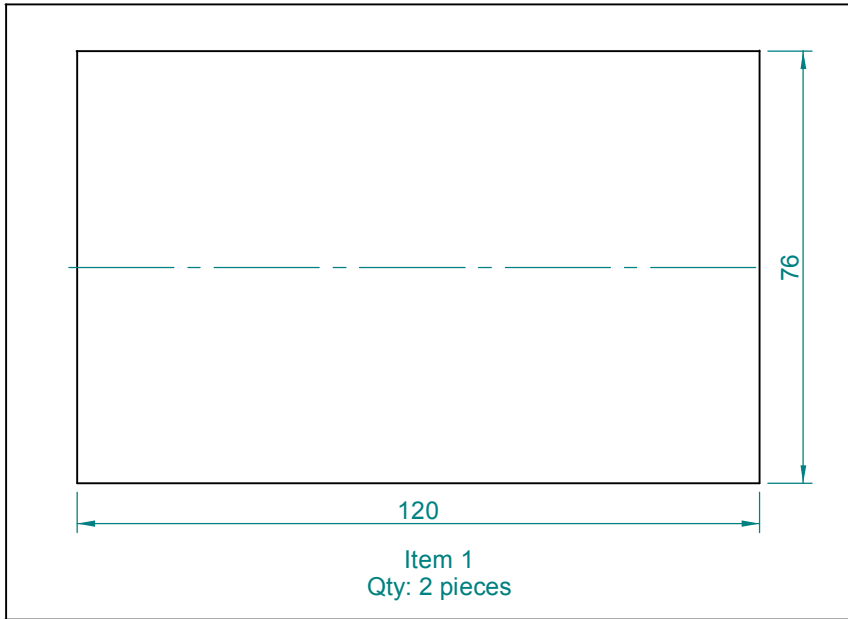
Cut off Frequency:

18" Speaker: Low: 40 Hz.  
High: 100 Hz.

Reccomended Crossover: Active, Linkwitz-Riley, 24 dB/oct.

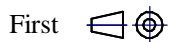
Item	Qty	Description	Material	Notes
1	2	Top / Botton	Plywood 20 mm	
2	2	Lateral	Plywood 20 mm	
3	1	Front Panel	Plywood 20 mm	
4	2	Frame 2	Plywood 20 mm	
5	2	Frame 1	Plywood 20 mm	
6	1	Internal Panel 1	Plywood 20 mm	
7	1	Back Panel	Plywood 20 mm	
8	4	Partition 3	Plywood 20 mm	
9	2	Partition 4	Plywood 20 mm	
10	1	Internal Panel 2	Plywood 20 mm	
11	2	Partition 5	Plywood 20 mm	
12	2	Frame 1	Plywood 20 mm	

Specifications subject to  
change without notice.

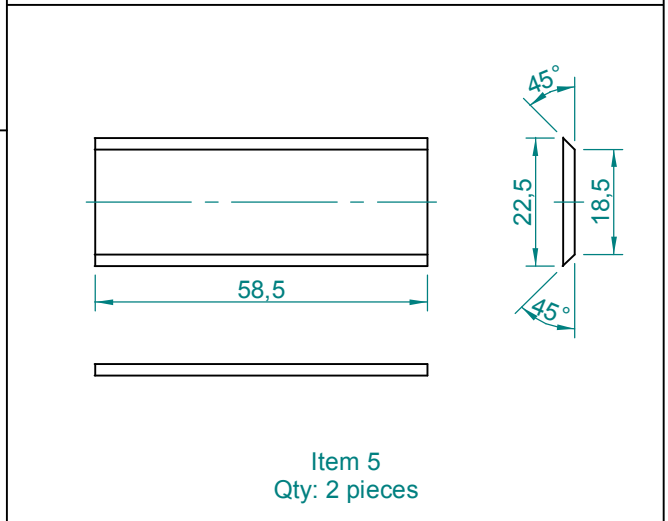
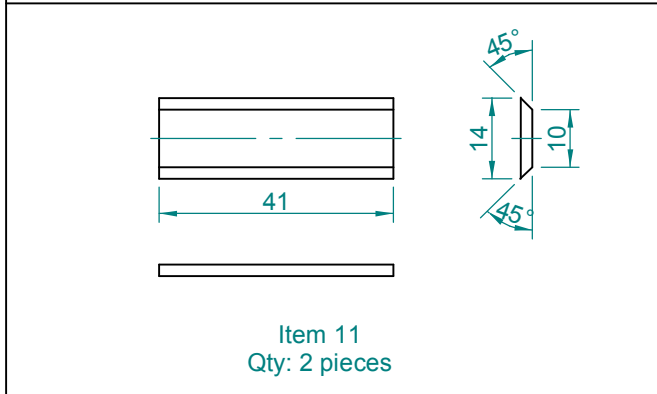
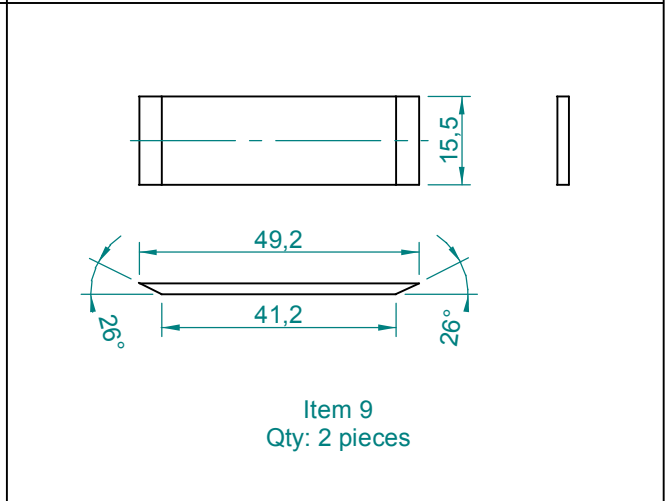
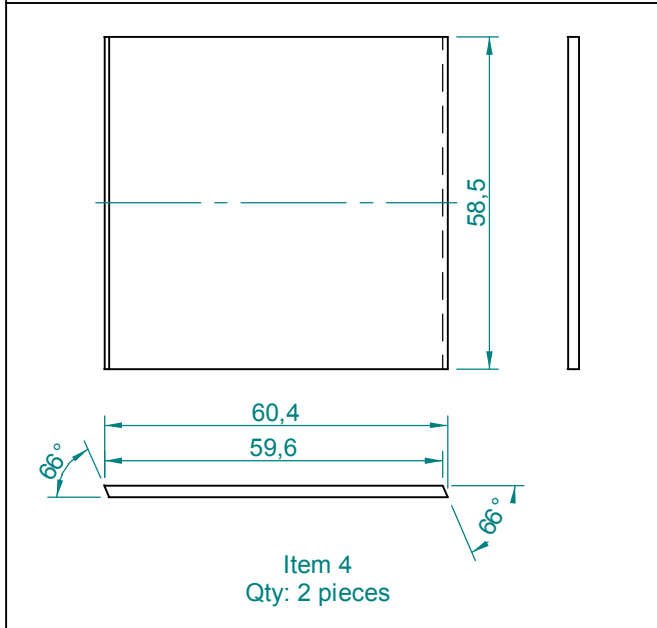
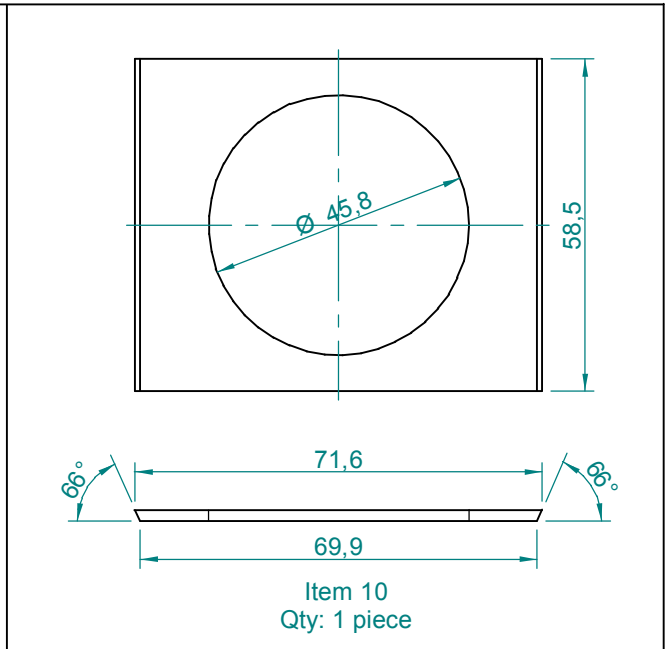
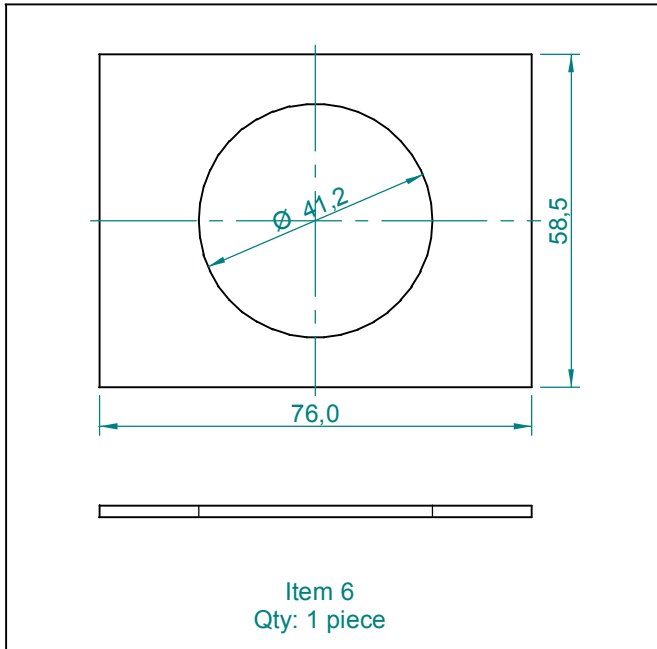


Dimensions in cm.

Projection Angle:

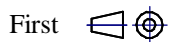


Specifications subject to  
change without notice.



Dimensions in cm.

Projection Angle:



Specifications subject to  
change without notice.