

Dimensions in cm.

Projection Angle:

First

Specifications subject to
change without notice.

08/03 - Rev.: 01 - Page: 1/6

F:\CAIXAS ACÚSTICAS\GRAVES\HB1805C1\HB1805C1\INGLES

EUROPE Address:
SELENIUM EUROPE
Germany
www.seleniumloudspeakers.com

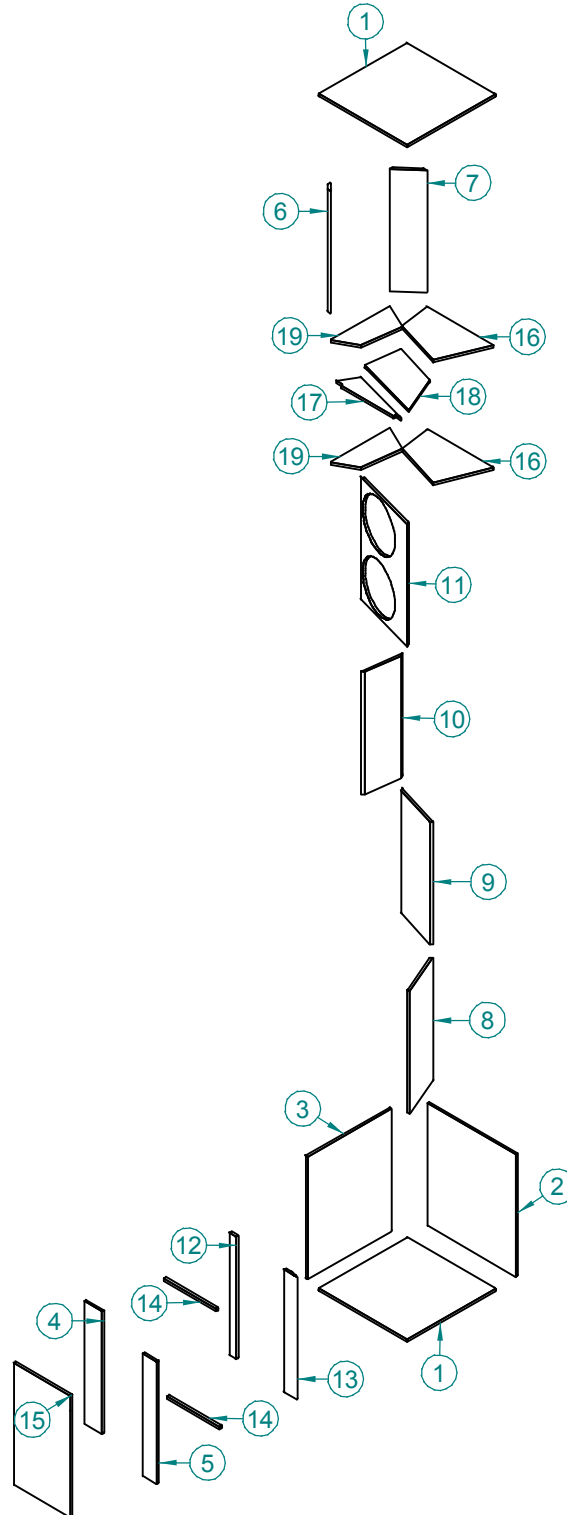
USA Address:
SELENIUM USA
USA
www.seleniumloudspeakers.com

SELENIUM
LOUDSPEAKERS

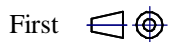
BRAZIL Address:
ELETRÔNICA SELENIUM S.A.
BR 386 Km 435 / 92.480-000
Nova Santa Rita - RS - Brazil
Fax: +(55) 51 479-1120
www.selenium.com.br

Is a folded horn that features excellent performance in the bass and sub-bass frequency range which can be used from 40 to 200 Hz with maximum efficiency.

Components:
18SW1P or 18SW2P subwoofer or
WPU1805 or WPU1807 woofer (2 pieces)



Projection Angle:



Specifications subject to
change without notice.

08/03 - Rev.: 01 - Page: 2/6

NOTES:

Net internal volume of the 18" low frequency driver chamber: 42 liters (each).

Perimeter of the mouth of the horn: 344,0 centimeters.

Medium length of the folded horn: 159,4 centimeters.

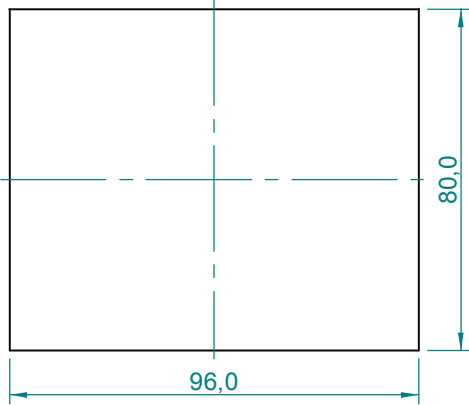
Cut off Frequency:

18" Speaker: Low: 40 Hz.
High: 200 Hz.

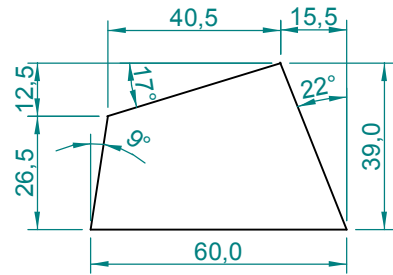
Reccomended Crossover: Active, Linkwitz-Riley, 24 dB/oct.

Item	Qty	Description	Material	Notes
1	2	Top/Botton	Plywood 20 mm	
2	1	Lateral 1	Plywood 20 mm	
3	1	Back	Plywood 20 mm	
4	1	Lateral 2	Plywood 20 mm	
5	1	Lateral 3	Plywood 20 mm	
6	1	Corner Plate 2	Plywood 20 mm	
7	1	Corner Plate 1	Plywood 20 mm	
8	1	Exponential 1	Plywood 20 mm	
9	1	Exponential 2	Plywood 20 mm	
10	1	Exponential 3	Plywood 20 mm	
11	1	Internal Panel	Plywood 20 mm	
12	1	Frame 1	Plywood 20 mm	
13	1	Frame 2	Plywood 20 mm	
14	2	Frame 3	Plywood 20 mm	
15	1	Lateral Panel	Plywood 20 mm	
16	2	Partition 1	Plywood 20 mm	
17	1	Partition 2	Plywood 20 mm	
18	1	Partition 3	Plywood 20 mm	
19	2	Partition 4	Plywood 20 mm	

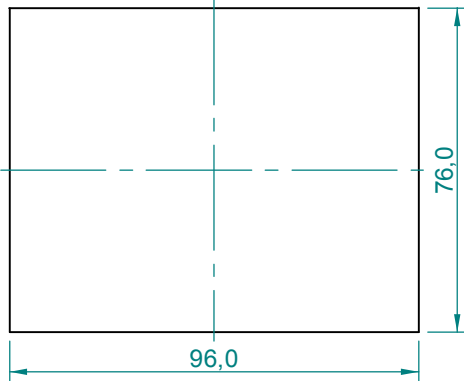
Specifications subject to
change without notice.



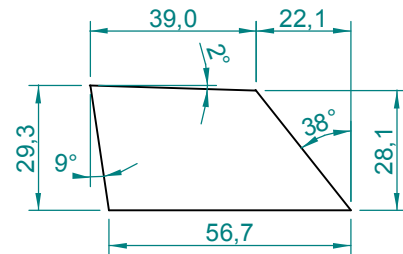
Item 2
Qty: 1 piece



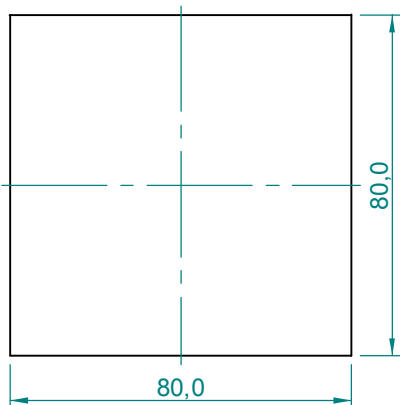
Item 16
Qty: 2 pieces



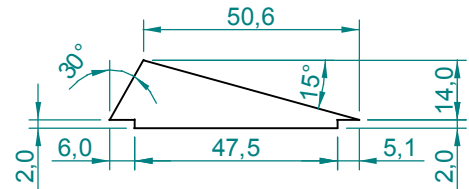
Item 3
Qty: 1 piece



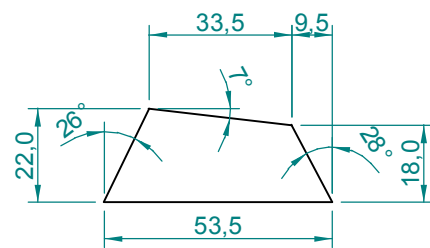
Item 18
Qty: 1 piece



Item 1
Qty: 2 pieces



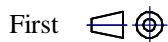
Item 17
Qty: 1 piece



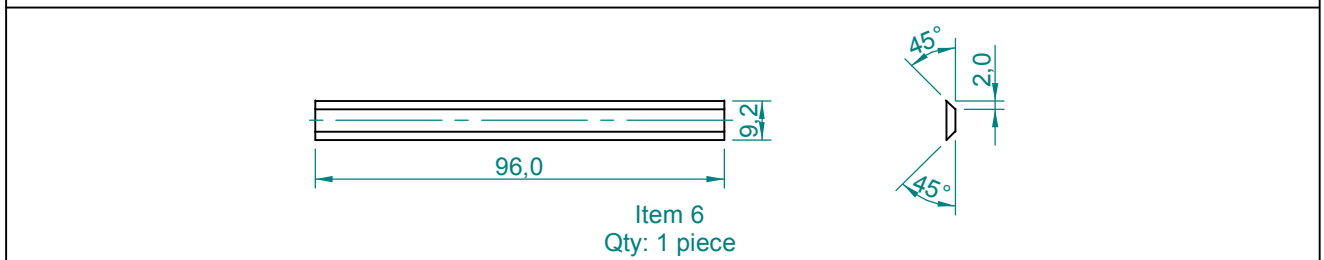
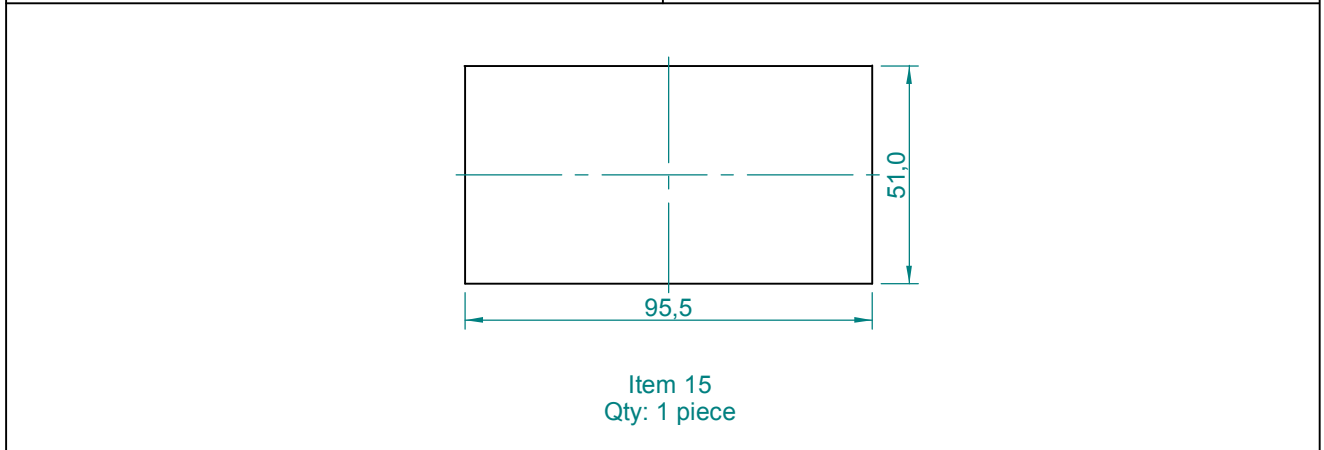
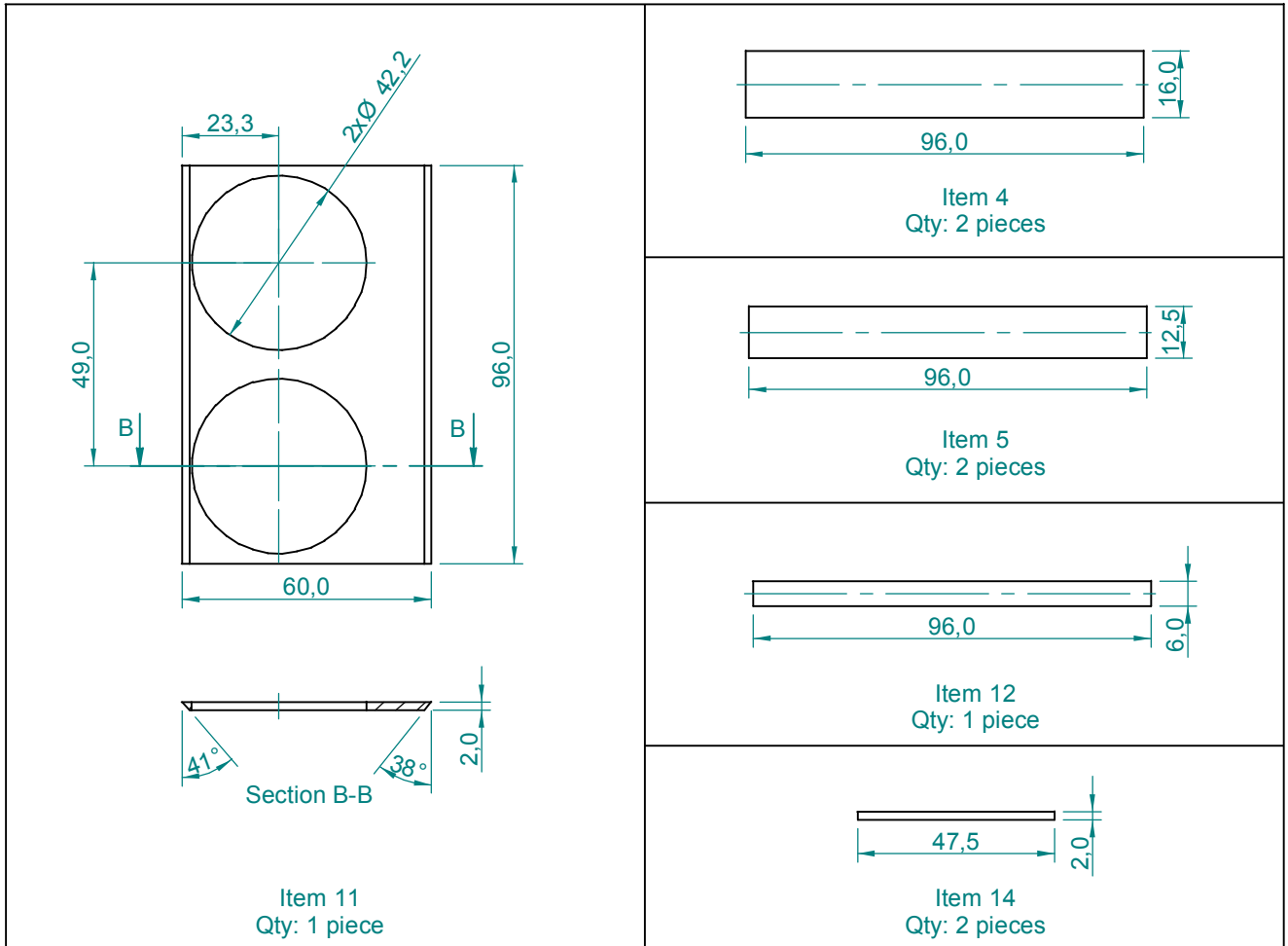
Item 19
Qty: 2 pieces

Dimensions in cm.

Projection Angle:



Specifications subject to
change without notice.

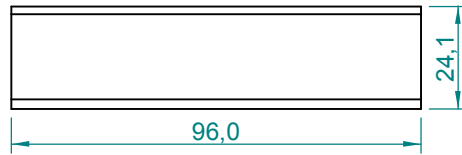


Dimensions in cm.

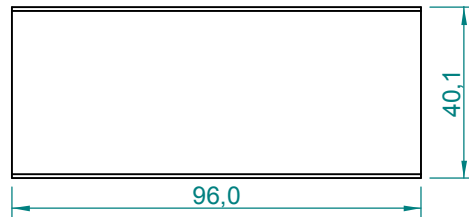
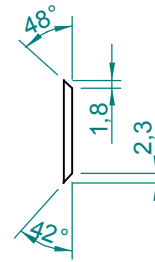
Projection Angle:

First

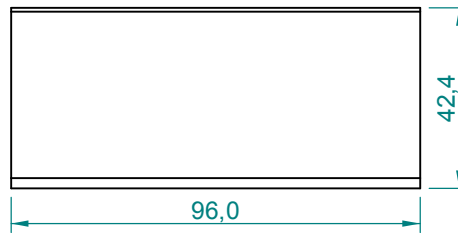
Specifications subject to change without notice.



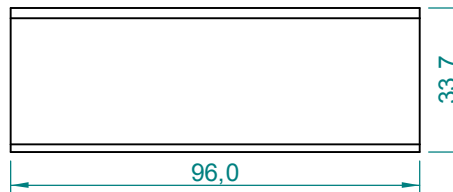
Item 7
Qty: 1 piece



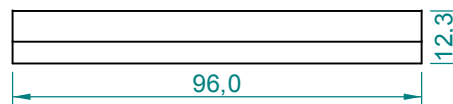
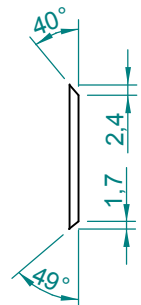
Item 10
Qty: 1 piece



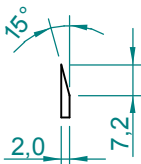
Item 9
Qty: 1 piece



Item 8
Qty: 1 piece

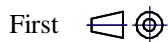


Item 13
Qty: 1 piece

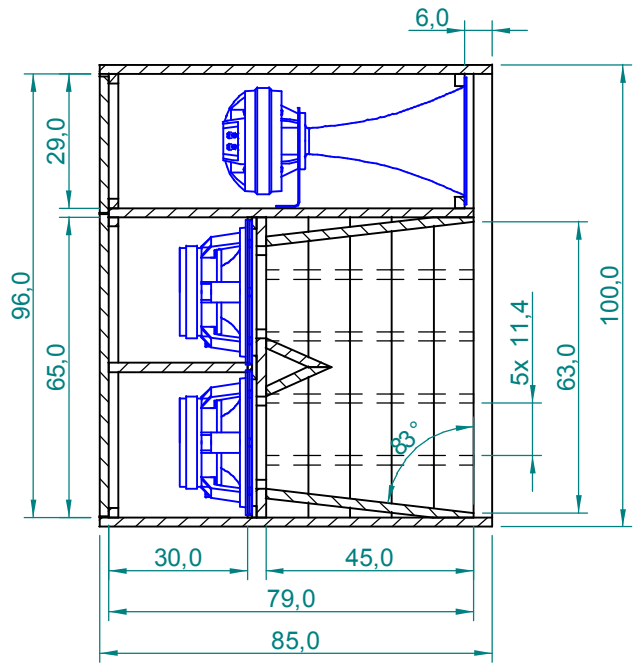
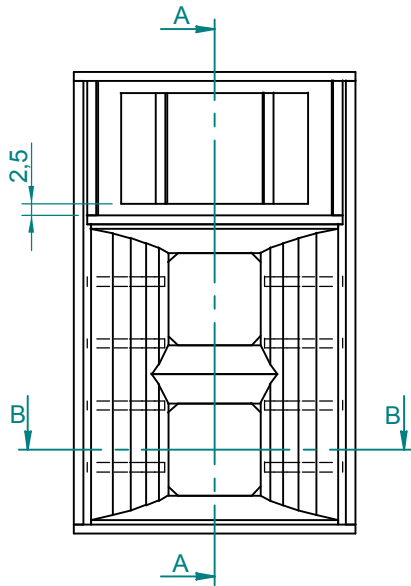


Dimensions in cm.

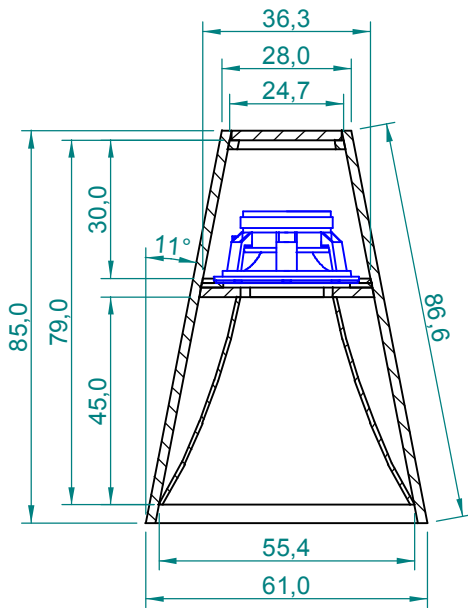
Projection Angle:



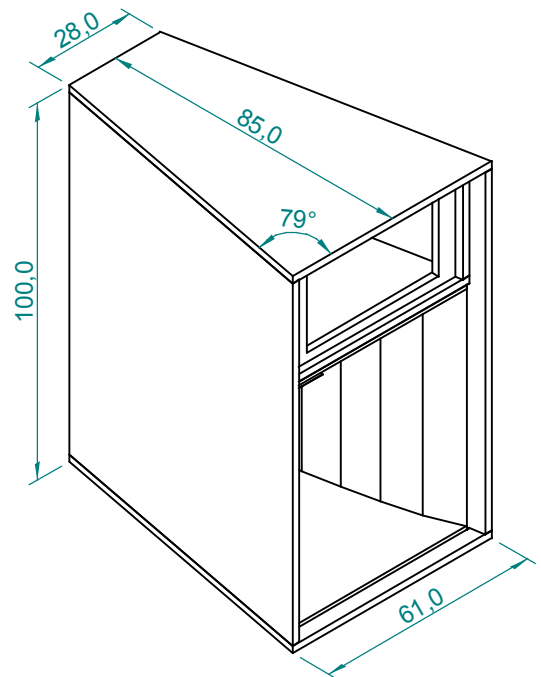
Specifications subject to
change without notice.



Section A-A



Section B-B



Dimensions in cm.

Projection Angle:

First

Specifications subject to change without notice.

03/03 - Rev.: 01 - Page: 1/6

F:\CAIXAS ACÚSTICAS\PAS\PAS4\PAS4MA1\PAS4MA1INGLES

EUROPE Address:
SELENIUM EUROPE
Germany
www.seleniumloudspeakers.com

USA Address:
SELENIUM USA
USA
www.seleniumloudspeakers.com

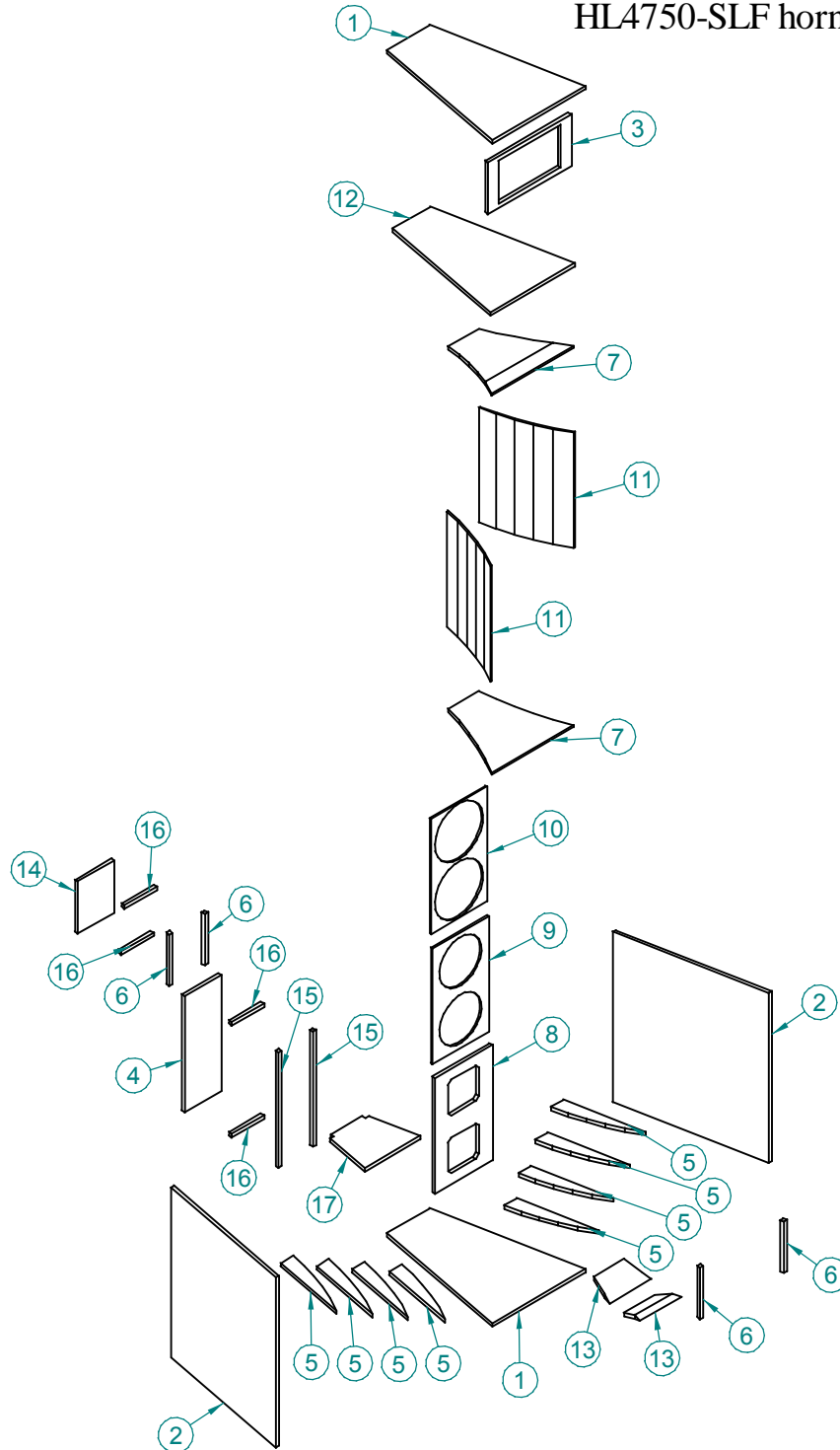
SELENIUM
LOUDSPEAKERS

BRAZIL Address:
ELETRÔNICA SELENIUM S.A.
BR 386 Km 435 / 92.480-000
Nova Santa Rita - RS - Brazil
Fax: +(55) 51 479-1120
www.selenium.com.br

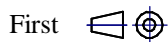
Trapezoidal cabinet, two way, horn type, for use in PA systems, with two 12" mid-bass and one titanium compression driver with horn.

Components:

- WPU1206 or 12MB2P mid-bass (2 pieces)
- D4400Ti or D408Ti or D3300Ti DPD or D3305Ti DPD driver (1 piece)
- HL4750-SLF horn (1 piece)



Projection Angle:



Specifications subject to change without notice.

03/03 - Rev.: 01 - Page: 2/6

NOTES:

Cut off Frequency:

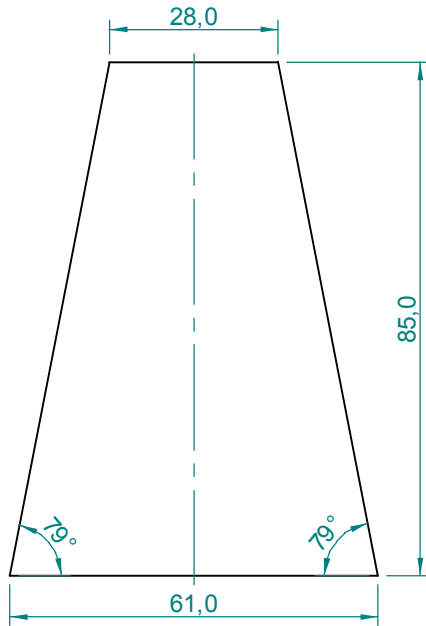
12" Speaker: Low: 200 Hz.
High: 1.200 Hz.

Driver: High: 1.200 Hz.

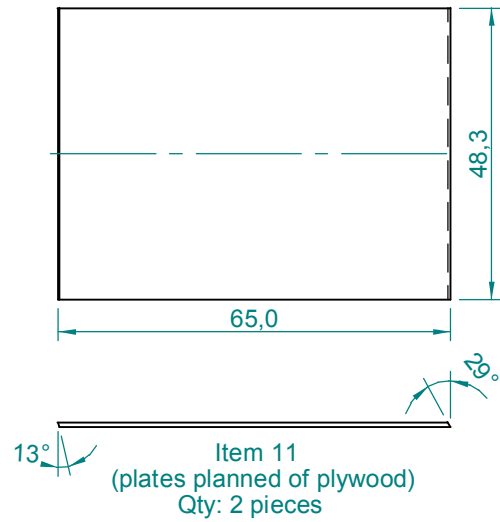
Recommended Crossover: Active, Linkwitz-Riley, 24 dB/oct.

Item	Qty	Description	Material	Notes
1	2	Top/Bottom	Plywood 20 mm	
2	2	Lateral	Plywood 20 mm	
3	1	Panel 1	Plywood 20 mm	
4	1	Rear Panel 1	Plywood 20 mm	
5	8	Reinforcement Exponential	Plywood 20 mm	
6	4	Frame 1	Plywood 20 mm	
7	2	Ramp	Plywood 20 mm	
8	1	Panel 2	Plywood 20 mm	
9	1	Panel 3	Plywood 10 mm	
10	1	Panel 4	Plywood 10 mm	
11	2	Exponential	Plywood 4 mm (2x)	
12	1	Partition 1	Plywood 20 mm	
13	2	Wedge	Plywood 20 mm	
14	1	Rear Panel 2	Plywood 20 mm	
15	2	Frame 3	Plywood 20 mm	
16	4	Frame 4	Plywood 20 mm	
17	1	Partition 2	Plywood 20 mm	

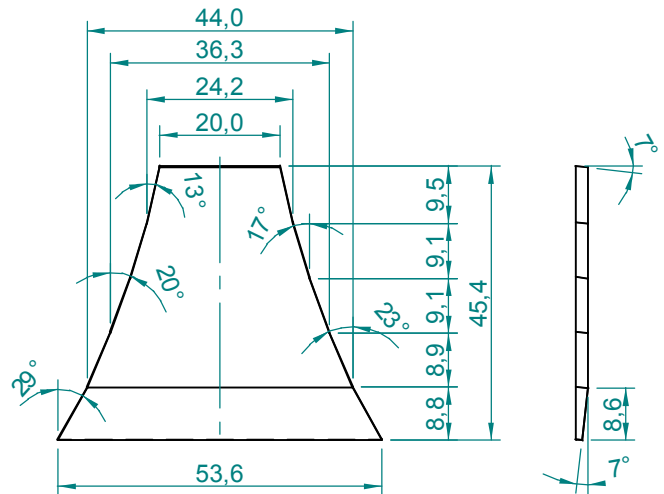
Specifications subject to
change without notice.



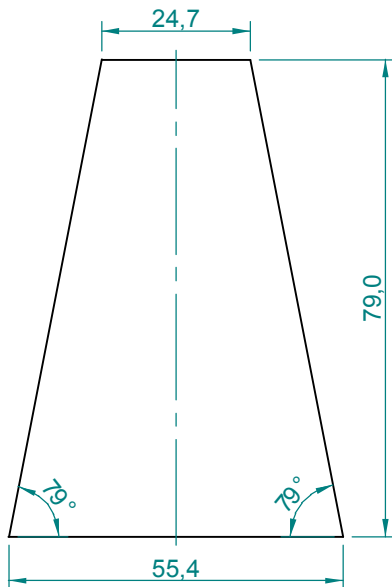
Item 1
Qty: 2 pieces



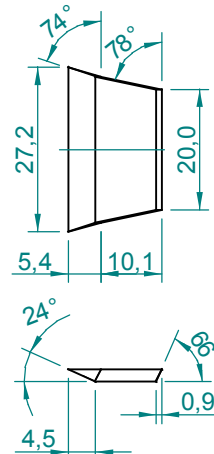
Item 11
(plates planned of plywood)
Qty: 2 pieces



Item 7
Qty: 2 pieces



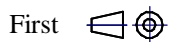
Item 12
Qty: 1 piece



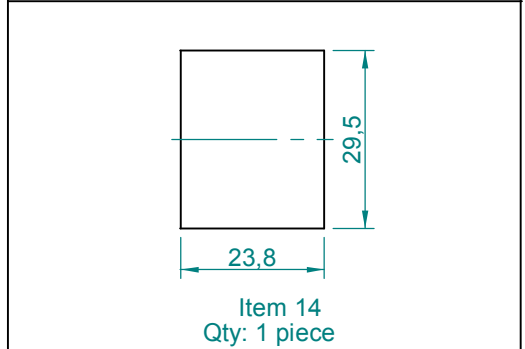
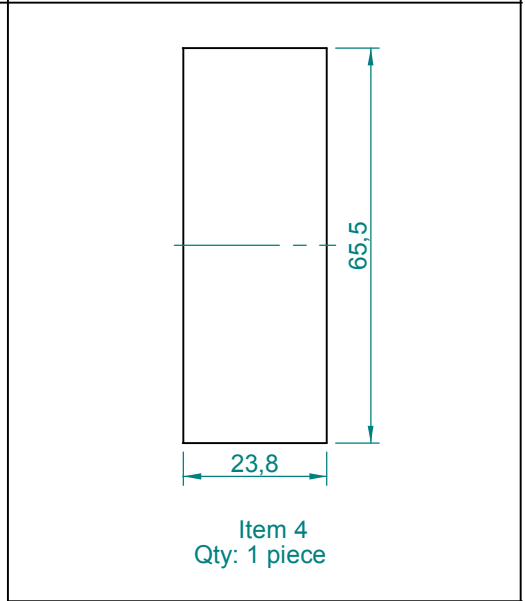
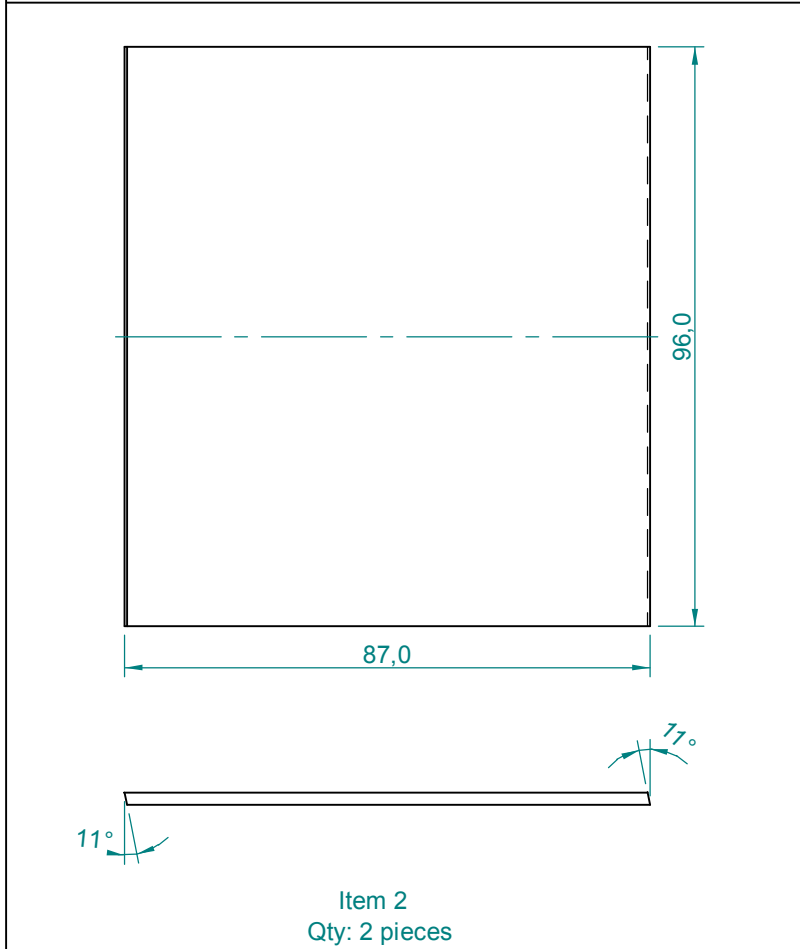
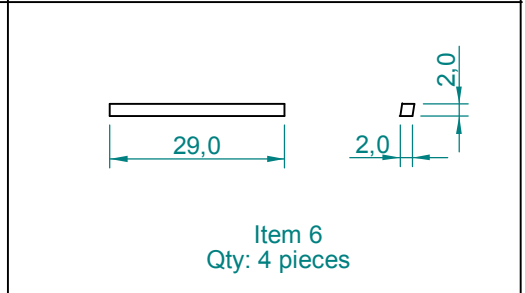
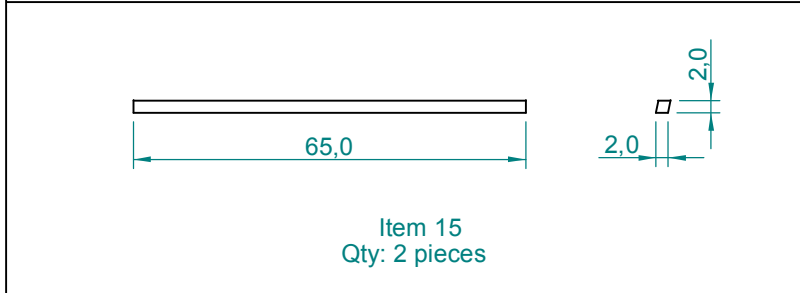
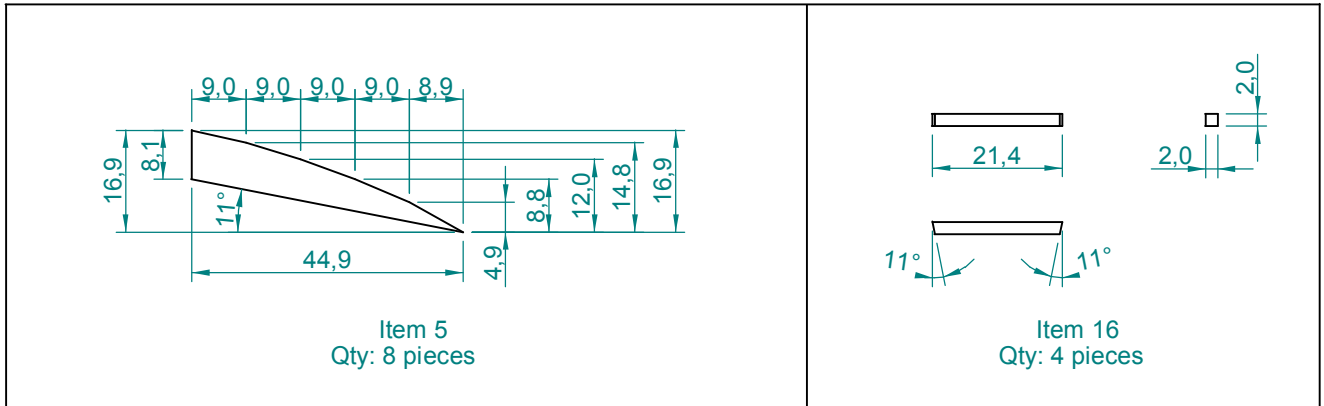
Item 13
Qty: 2 pieces

Dimensions in cm.

Projection Angle:

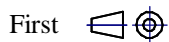


Specifications subject to
change without notice.

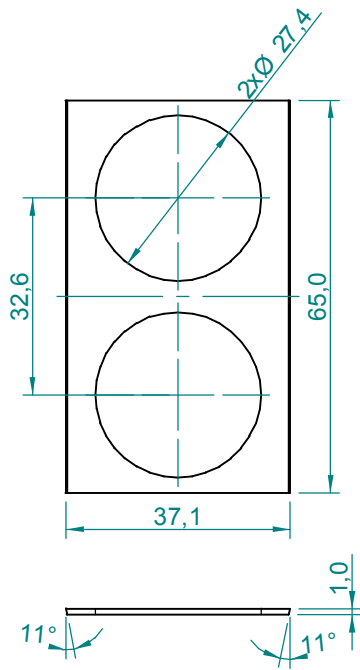


Dimensions in cm.

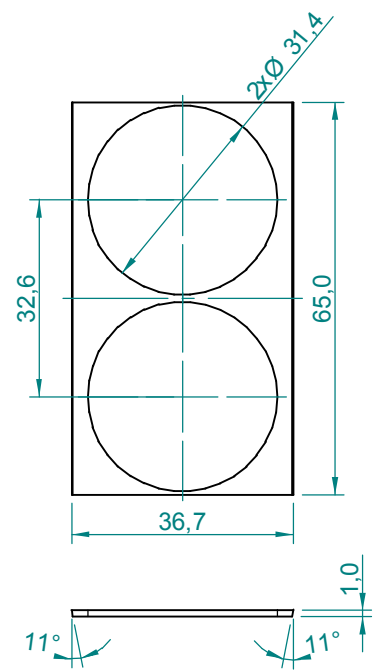
Projection Angle:



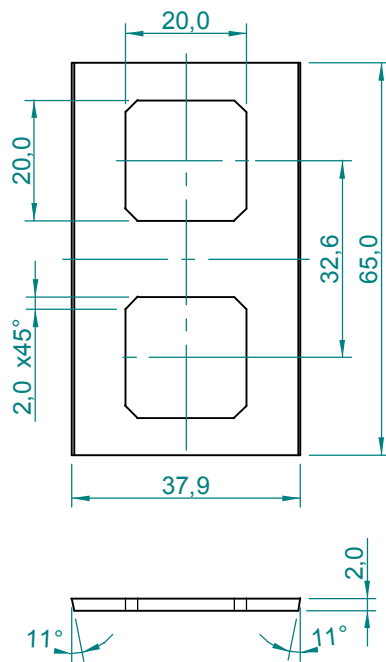
Specifications subject to change without notice.



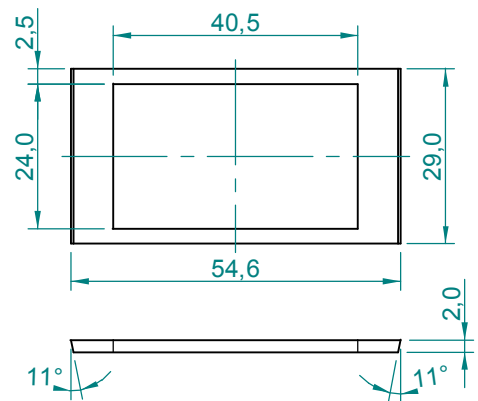
Item 9
Qty: 1 piece



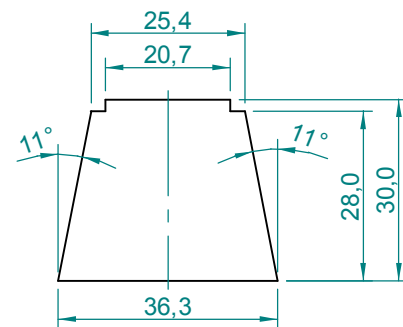
Item 10
Qty: 1 piece



Item 8
Qty: 1 piece



Item 3
Qty: 1 piece



Item 17
Qty: 1 piece

Dimensions in cm.

Projection Angle:

First

Specifications subject to
change without notice.

03/03 - Rev.: 01 - Page: 6/6

F:\CAIXAS ACÚSTICAS\PAS\PAS4\PAS4MA1\PAS4MA1INGLES

EUROPE Address:
SELENIUM EUROPE
Germany
www.seleniumloudspeakers.com

USA Address:
SELENIUM USA
USA
www.seleniumloudspeakers.com

SELENIUM
LOUDSPEAKERS

BRAZIL Address:
ELETRÔNICA SELENIUM S.A.
BR 386 Km 435 / 92.480-000
Nova Santa Rita - RS - Brazil
Fax: +(55) 51 479-1120
www.selenium.com.br