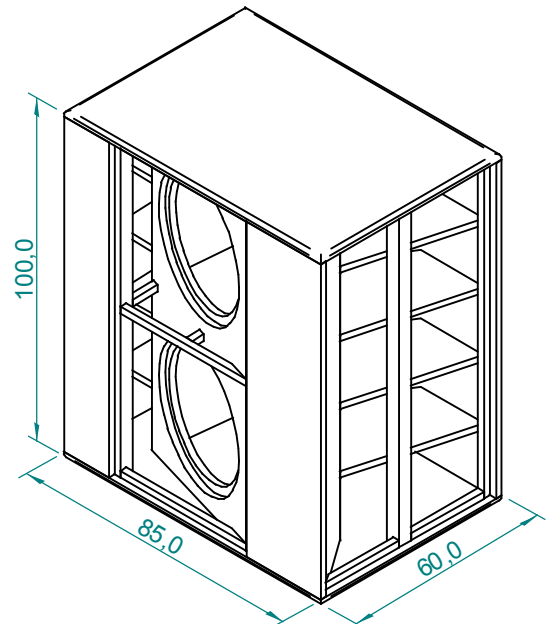
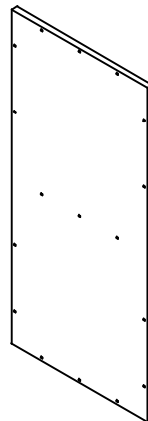


Section A-A



Dimensions in cm.

Projection Angle:

First

Specifications subject to change without notice.

08/03 - Rev.: 01 - Page: 1/6

F:\CAIXAS ACÚSTICAS\TRIO ELÉTRICO\HB1502B1\HB1502B1IN

EUROPE Address:
SELENIUM EUROPE
Germany
www.seleniumloudspeakers.com

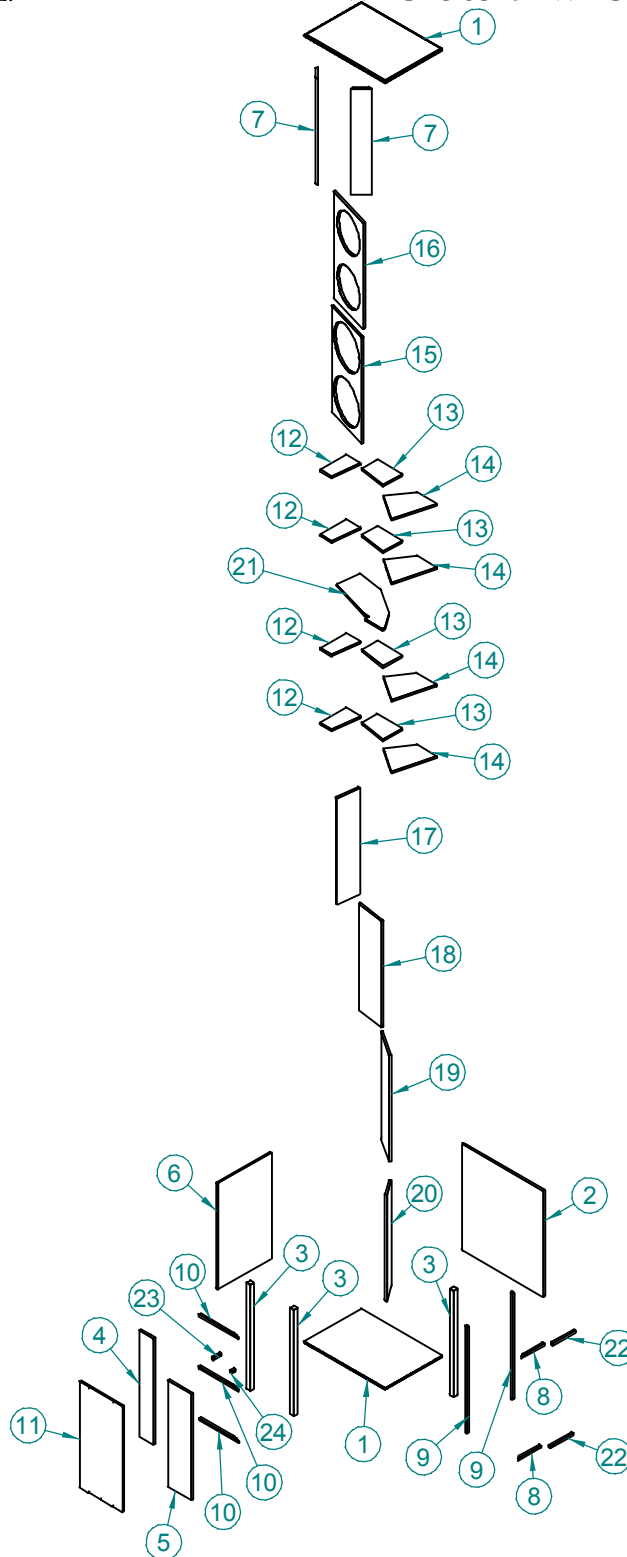
USA Address:
SELENIUM USA
USA
www.seleniumloudspeakers.com

SELENIUM
LOUDSPEAKERS

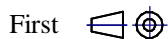
BRAZIL Address:
ELETRÔNICA SELENIUM S.A.
BR 386 Km 435 / 92.480-000
Nova Santa Rita - RS - Brazil
Fax: +(55) 51 479-1120
www.selenium.com.br

Reinforced low frequency folded horn for the use on big trucks mobile sound systems (trio eletricos) and conventional PA systems. High efficiency frequency response from 40 to 200 Hz.

Components:
15SW1P subwoofer or
WPU1505 or WPU1507 woofer (2 pieces)



Projection Angle:



Specifications subject to change without notice.

08/03 - Rev.: 01 - Page: 2/6

NOTES:

Gross internal volume of the 15" low frequency chamber: 63 liters.
Net internal volume of the 15" low frequency chamber: 57 liters.

Perimeter of the mouth of the horn: 290,0 centimeters.
Medium length of the folded horn: 144 centimeters.

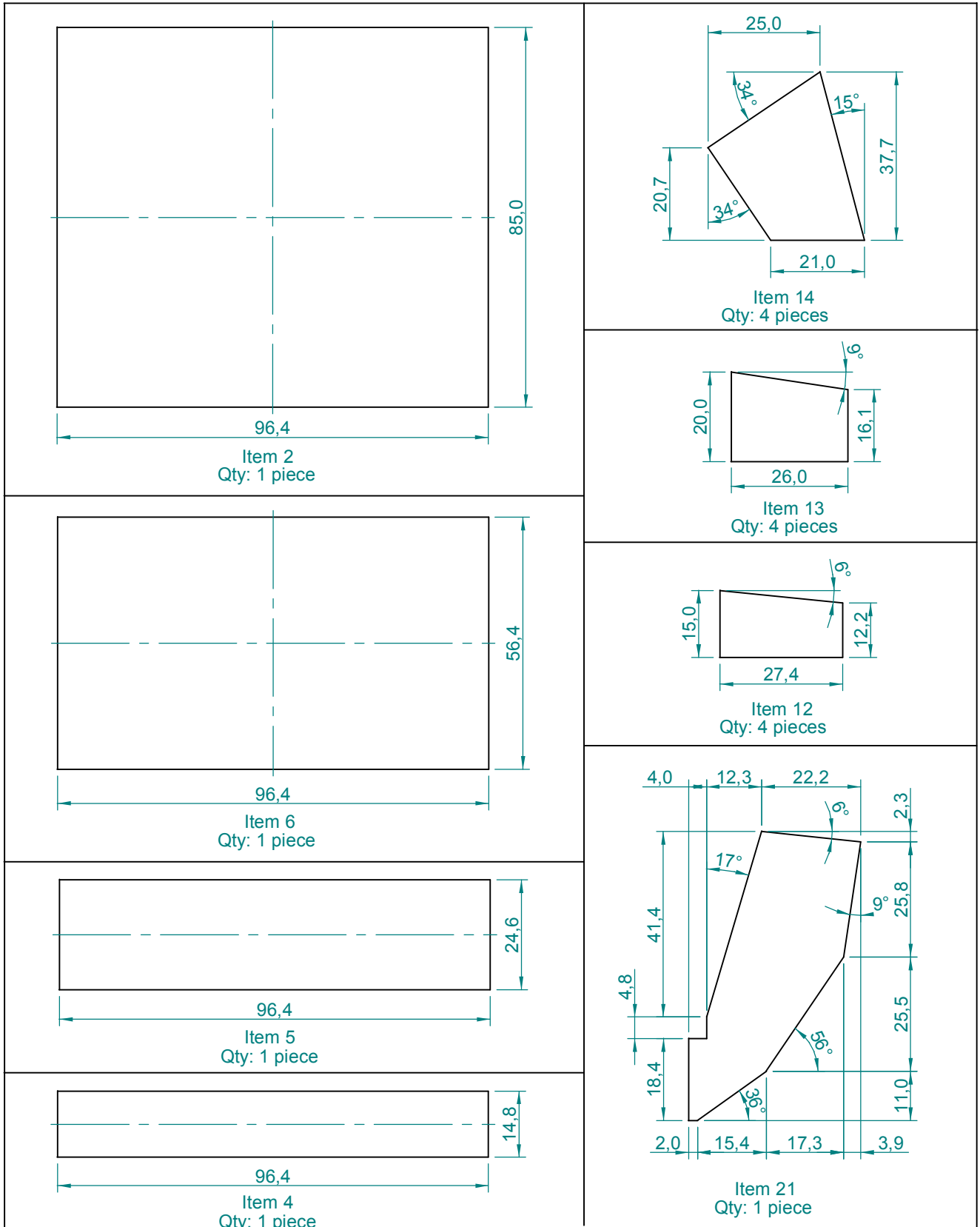
Cut off Frequency:

15" Speaker: Low: 40 Hz.
High: 200 Hz.

Recommended Crossover: Active, Linkwitz-Riley, 24 dB/oct.

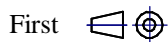
Item	Qty	Description	Material	Notes
1	2	Basis/Cover	Plywood 18 mm	
2	1	Lateral 1	Plywood 18 mm	
3	3	Frame 1	Wood 40x40 mm	
4	1	Lateral 3	Plywood 18 mm	
5	1	Lateral 2	Plywood 18 mm	
6	1	Back	Plywood 18 mm	
7	2	Corner Plate	Plywood 18 mm	
8	2	Frame 3	Wood 20x20 mm	
9	2	Frame 4	Wood 20x20 mm	
10	3	Frame 5	Wood 20x20 mm	
11	1	Lateral Panel	Plywood 18 mm	
12	4	Internal Reinforcement 1	Plywood 18 mm	
13	4	Internal Reinforcement 2	Plywood 18 mm	
14	4	Internal Reinforcement 3	Plywood 18 mm	
15	1	Internal Panel 1	Plywood 18 mm	
16	1	Internal Panel 2	Plywood 18 mm	
17	1	Exponential 1	Plywood 18 mm	
18	1	Exponential 2	Plywood 18 mm	
19	1	Exponential 3	Plywood 18 mm	
20	1	Exponential 4	Plywood 18 mm	
21	1	Partition	Plywood 18 mm	
22	2	Frame 2	Wood 20x20 mm	
23	1	Reinforcement 2 of the Frame	Wood 20x20 mm	
24	1	Reinforcement 1 of the Frame	Wood 20x20 mm	

Specifications subject to
change without notice.

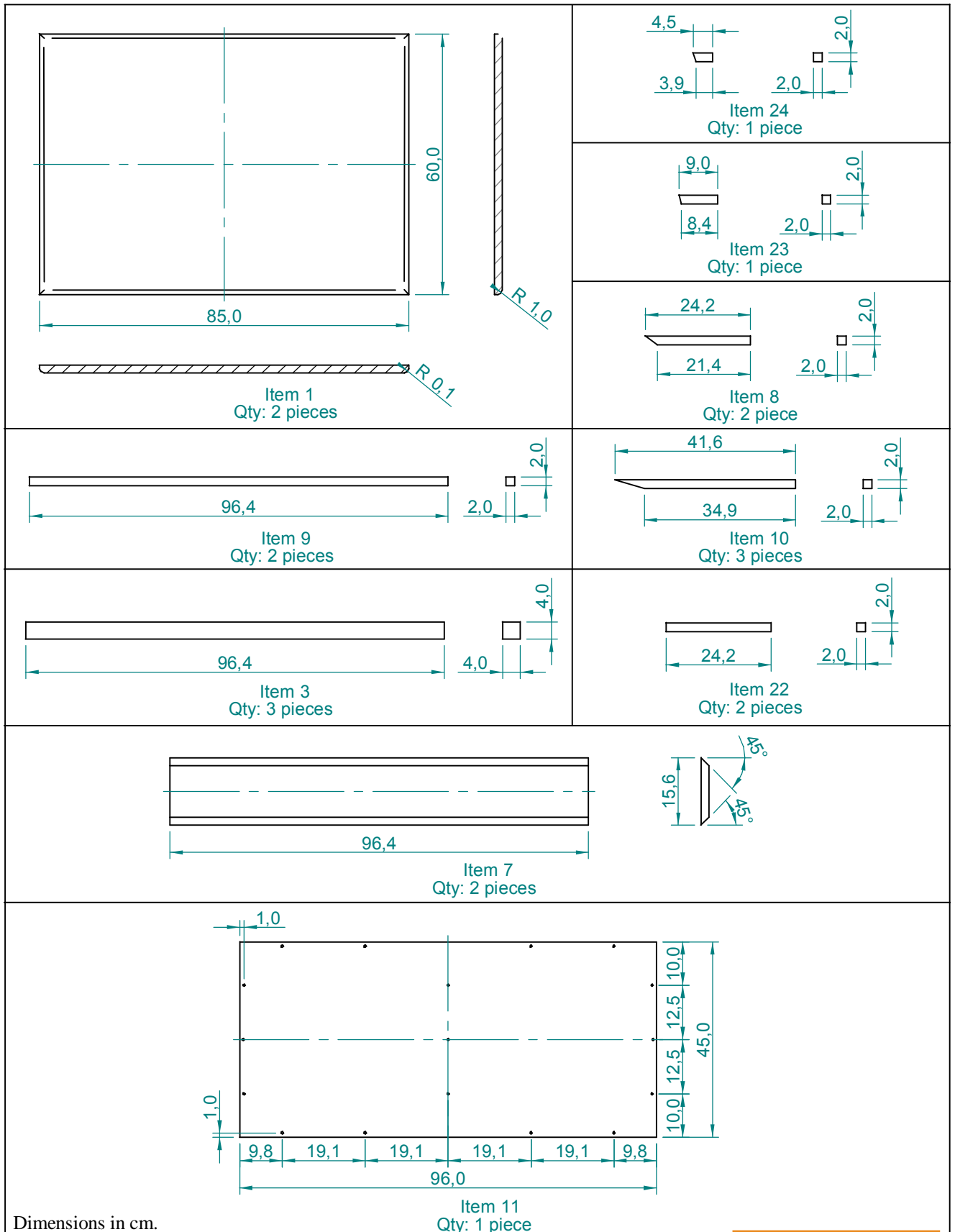


Dimensions in cm.

Projection Angle:



Specifications subject to change without notice.

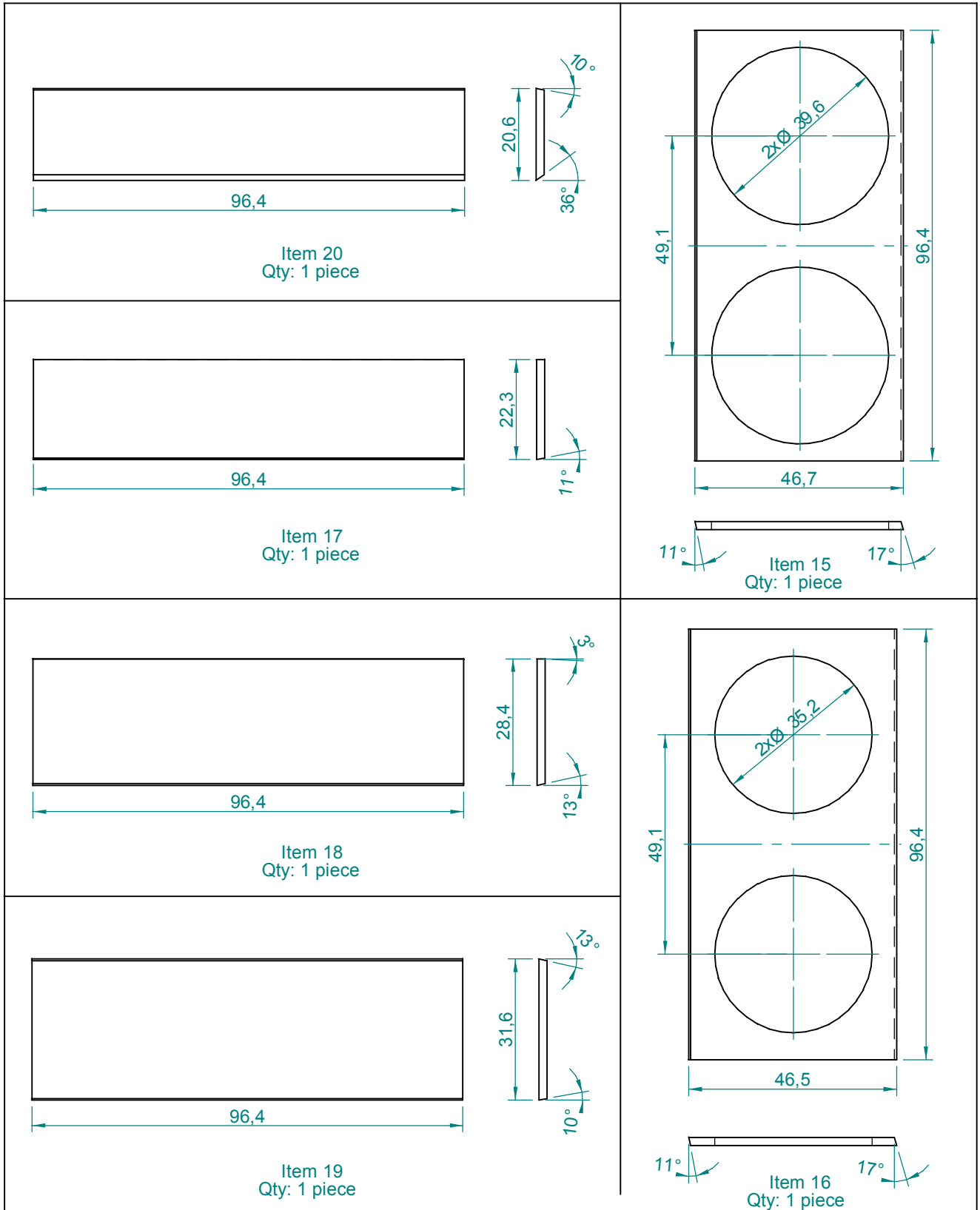


Dimensions in cm.

Projection Angle:

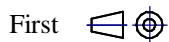
First

Specifications subject to change without notice.

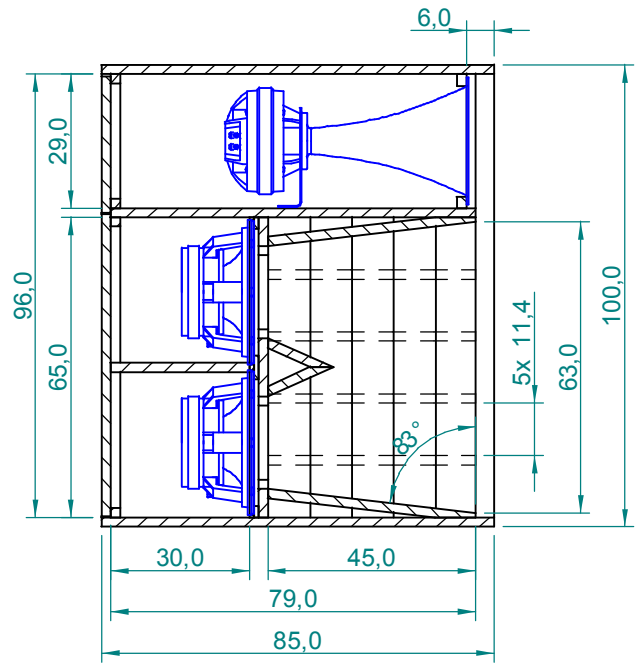
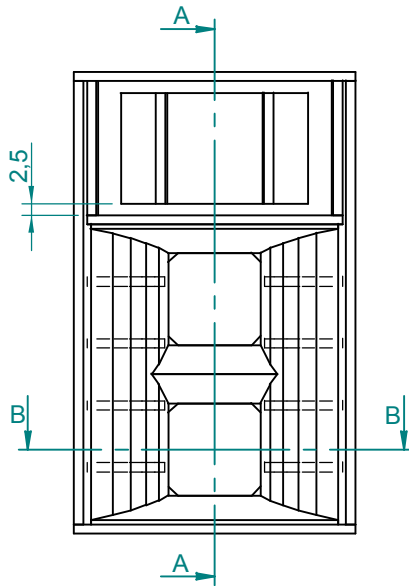


Dimensions in cm.

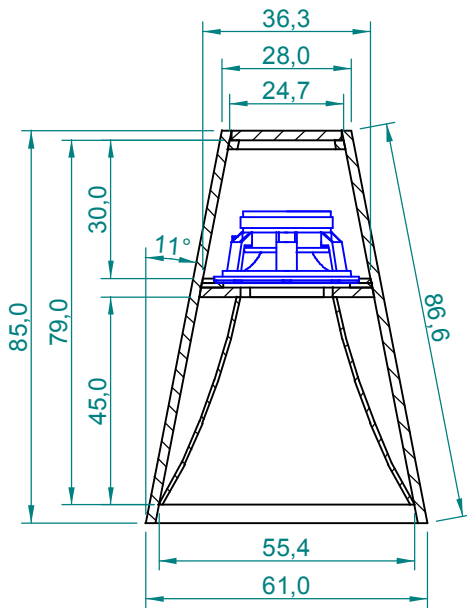
Projection Angle:



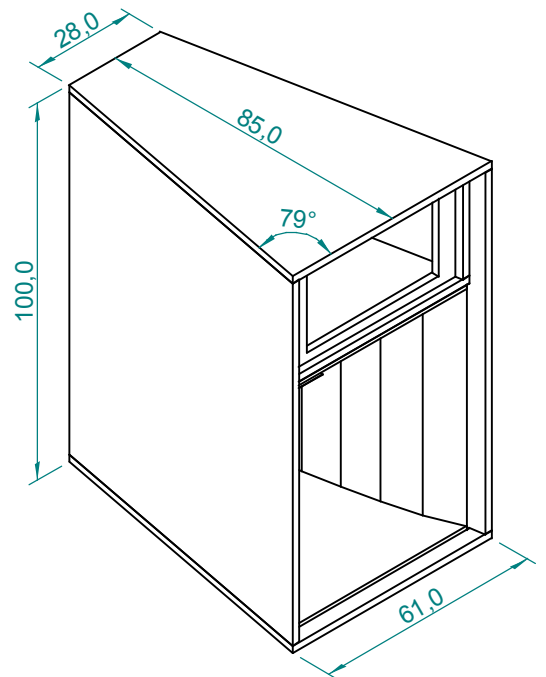
Specifications subject to change without notice.



Section A-A



Section B-B



Dimensions in cm.

Projection Angle:

First

Specifications subject to change without notice.

03/03 - Rev.: 01 - Page: 1/6

F:\CAIXAS ACÚSTICAS\PAS\PAS4\PAS4MA1\PAS4MA1INGLES

EUROPE Address:
SELENIUM EUROPE
Germany
www.seleniumloudspeakers.com

USA Address:
SELENIUM USA
USA
www.seleniumloudspeakers.com

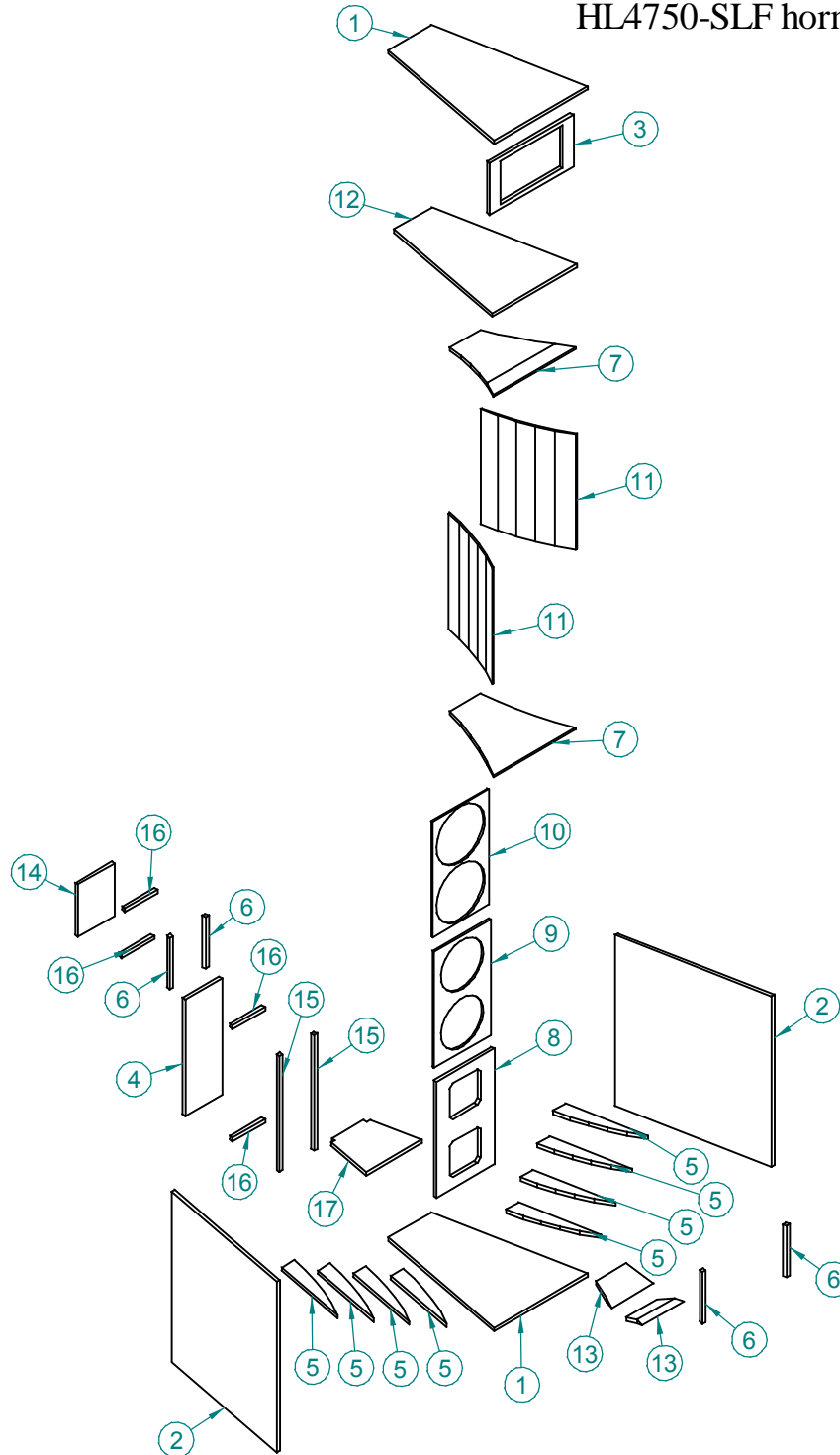
SELENIUM
LOUDSPEAKERS

BRAZIL Address:
ELETRÔNICA SELENIUM S.A.
BR 386 Km 435 / 92.480-000
Nova Santa Rita - RS - Brazil
Fax: +(55) 51 479-1120
www.selenium.com.br

Trapezoidal cabinet, two way, horn type, for use in PA systems, with two 12" mid-bass and one titanium compression driver with horn.

Components:

- WPU1206 or 12MB2P mid-bass (2 pieces)
- D4400Ti or D408Ti or D3300Ti DPD or D3305Ti DPD driver (1 piece)
- HL4750-SLF horn (1 piece)



Projection Angle:



Specifications subject to change without notice.

03/03 - Rev.: 01 - Page: 2/6

NOTES:

Cut off Frequency:

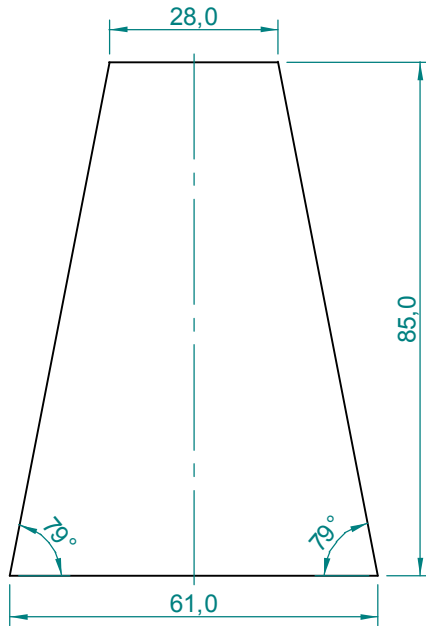
12" Speaker: Low: 200 Hz.
High: 1.200 Hz.

Driver: High: 1.200 Hz.

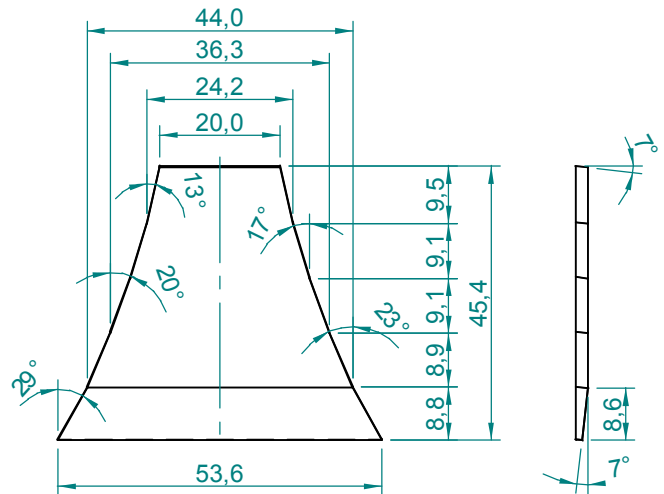
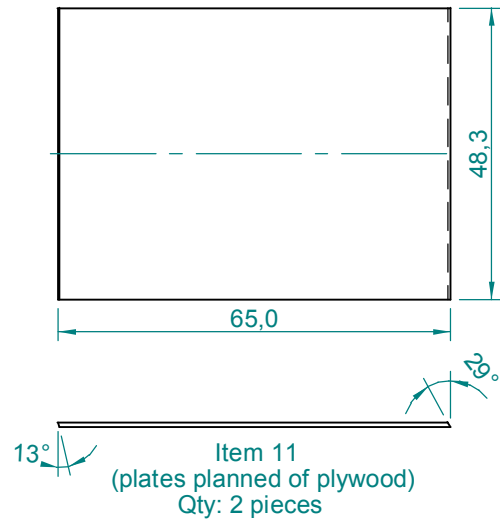
Recommended Crossover: Active, Linkwitz-Riley, 24 dB/oct.

Item	Qty	Description	Material	Notes
1	2	Top/Bottom	Plywood 20 mm	
2	2	Lateral	Plywood 20 mm	
3	1	Panel 1	Plywood 20 mm	
4	1	Rear Panel 1	Plywood 20 mm	
5	8	Reinforcement Exponential	Plywood 20 mm	
6	4	Frame 1	Plywood 20 mm	
7	2	Ramp	Plywood 20 mm	
8	1	Panel 2	Plywood 20 mm	
9	1	Panel 3	Plywood 10 mm	
10	1	Panel 4	Plywood 10 mm	
11	2	Exponential	Plywood 4 mm (2x)	
12	1	Partition 1	Plywood 20 mm	
13	2	Wedge	Plywood 20 mm	
14	1	Rear Panel 2	Plywood 20 mm	
15	2	Frame 3	Plywood 20 mm	
16	4	Frame 4	Plywood 20 mm	
17	1	Partition 2	Plywood 20 mm	

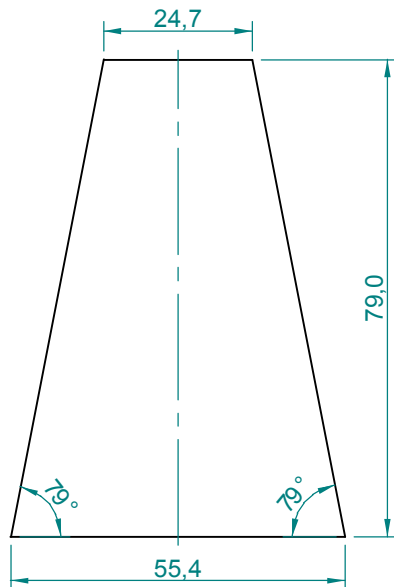
Specifications subject to
change without notice.



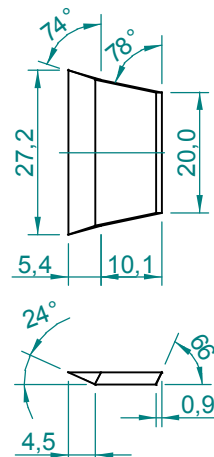
Item 1
Qty: 2 pieces



Item 7
Qty: 2 pieces



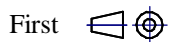
Item 12
Qty: 1 piece



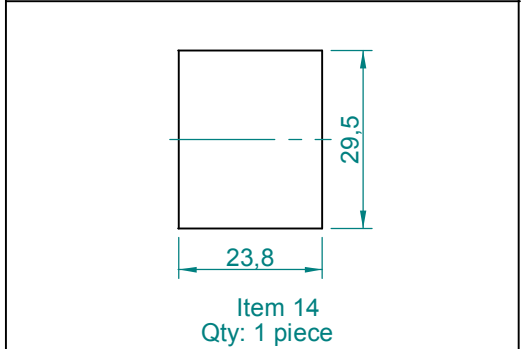
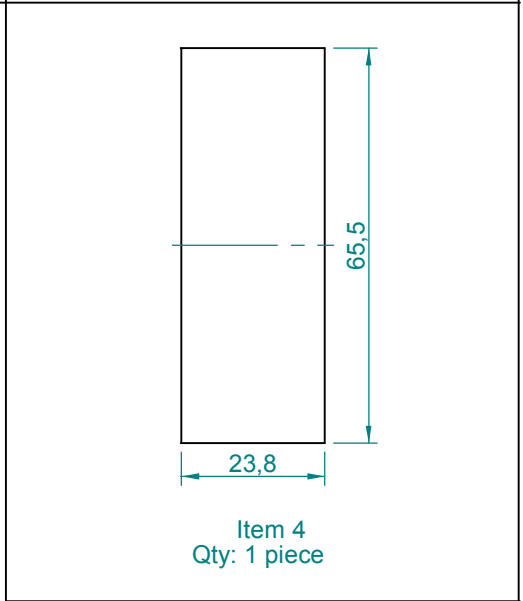
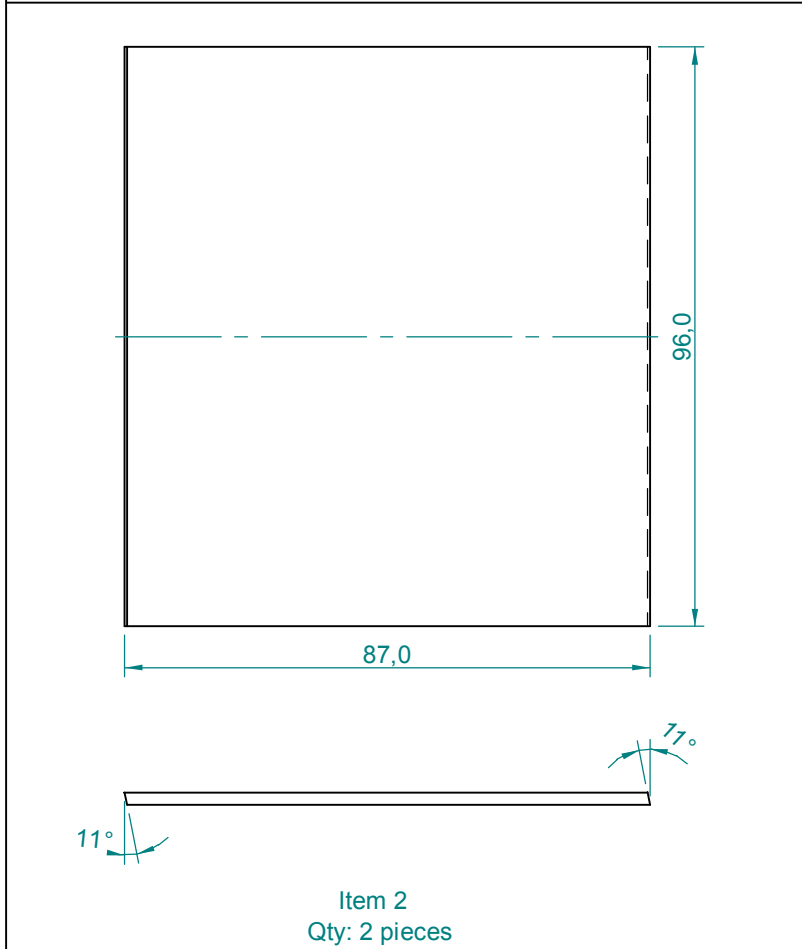
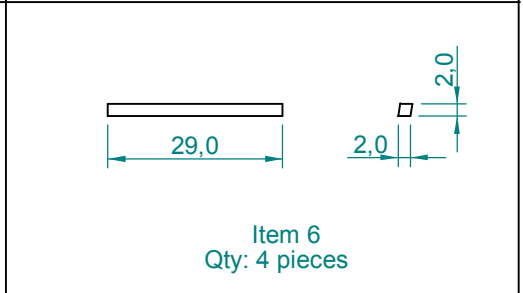
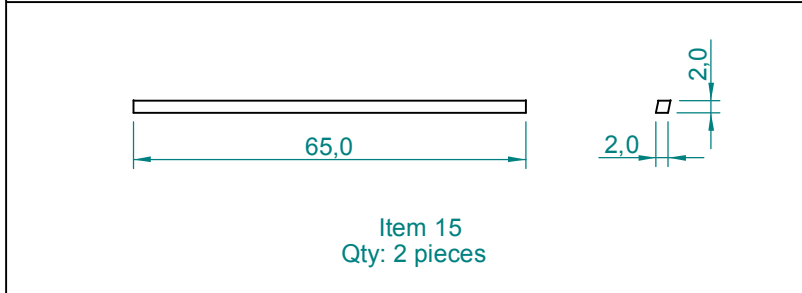
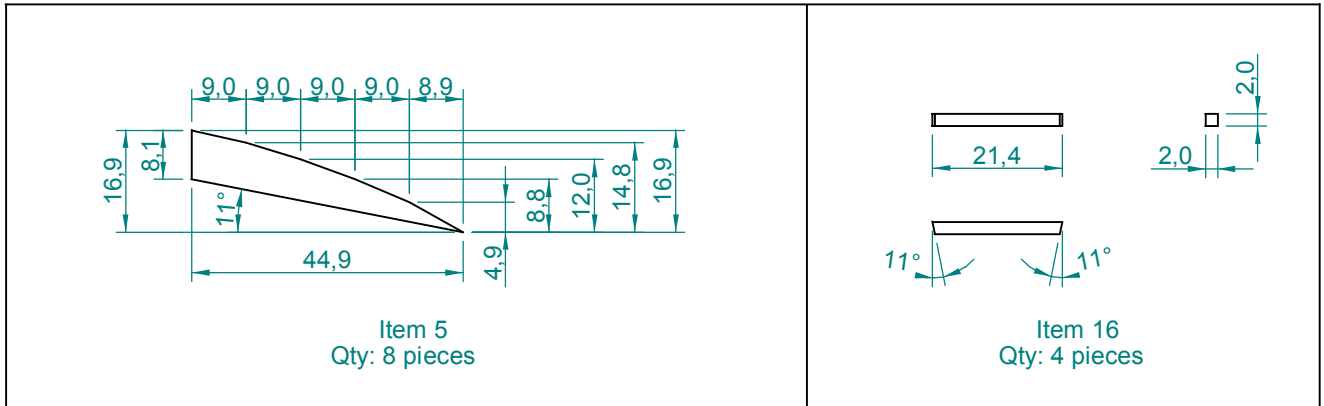
Item 13
Qty: 2 pieces

Dimensions in cm.

Projection Angle:

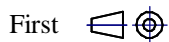


Specifications subject to change without notice.

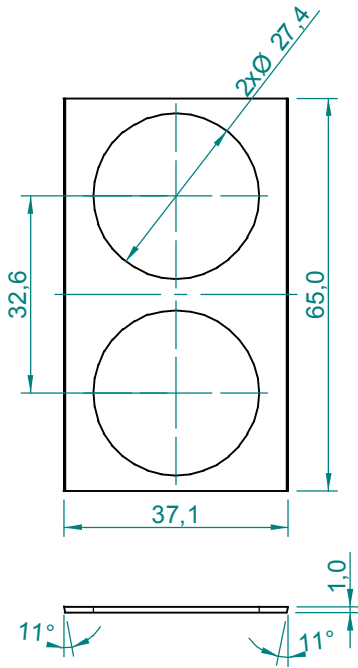


Dimensions in cm.

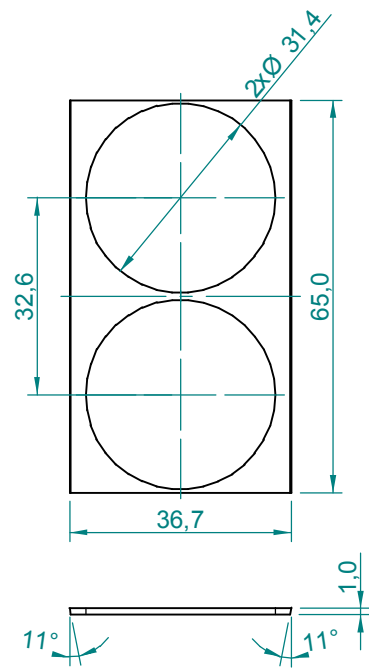
Projection Angle:



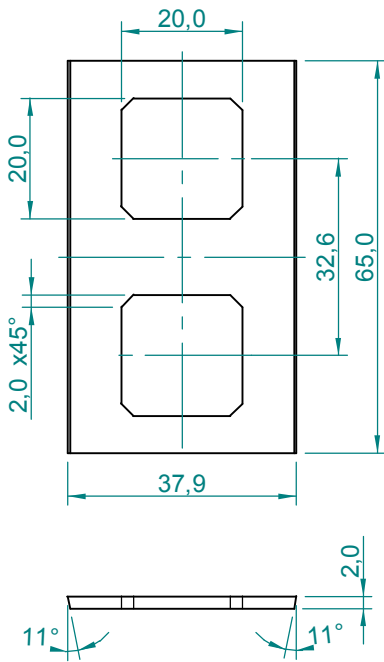
Specifications subject to change without notice.



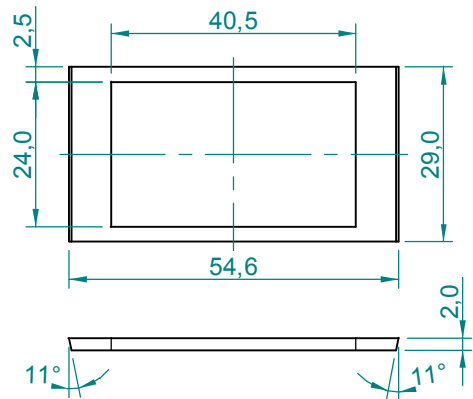
Item 9
Qty: 1 piece



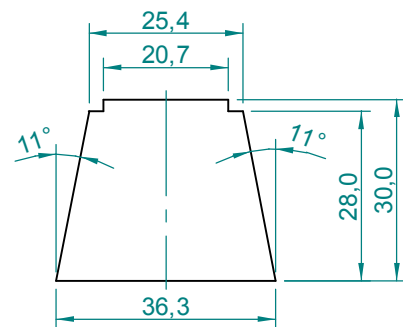
Item 10
Qty: 1 piece



Item 8
Qty: 1 piece



Item 3
Qty: 1 piece



Item 17
Qty: 1 piece

Dimensions in cm.

Projection Angle:

First

Specifications subject to
change without notice.

03/03 - Rev.: 01 - Page: 6/6

F:\CAIXAS ACÚSTICAS\PAS\PAS4\PAS4MA1\PAS4MA1INGLES

EUROPE Address:
SELENIUM EUROPE
Germany
www.seleniumloudspeakers.com

USA Address:
SELENIUM USA
USA
www.seleniumloudspeakers.com

SELENIUM
LOUDSPEAKERS

BRAZIL Address:
ELETRÔNICA SELENIUM S.A.
BR 386 Km 435 / 92.480-000
Nova Santa Rita - RS - Brazil
Fax: +(55) 51 479-1120
www.selenium.com.br