

Dimensions in cm.

Projection Angle:

First

Specifications subject to  
change without notice.

08/03 - Rev.: 01 - Page: 1/6

F:\CAIXAS ACÚSTICAS\GRAVES\HB1805C1\HB1805C1\INGLES

EUROPE Address:  
**SELENIUM EUROPE**  
Germany  
[www.seleniumloudspeakers.com](http://www.seleniumloudspeakers.com)

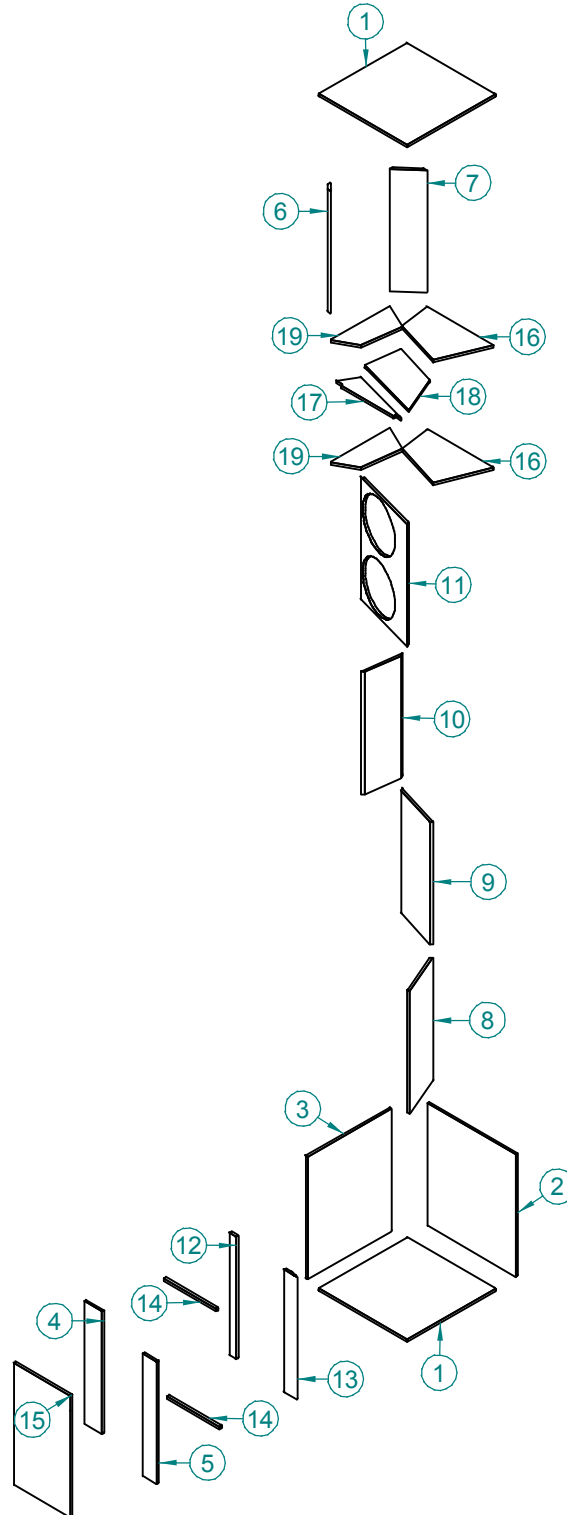
USA Address:  
**SELENIUM USA**  
USA  
[www.seleniumloudspeakers.com](http://www.seleniumloudspeakers.com)

**SELENIUM**  
LOUDSPEAKERS

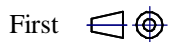
BRAZIL Address:  
**ELETRÔNICA SELENIUM S.A.**  
BR 386 Km 435 / 92.480-000  
Nova Santa Rita - RS - Brazil  
Fax: +(55) 51 479-1120  
[www.selenium.com.br](http://www.selenium.com.br)

Is a folded horn that features excellent performance in the bass and sub-bass frequency range which can be used from 40 to 200 Hz with maximum efficiency.

Components:  
18SW1P or 18SW2P subwoofer or  
WPU1805 or WPU1807 woofer (2 pieces)



Projection Angle:



Specifications subject to  
change without notice.

08/03 - Rev.: 01 - Page: 2/6

NOTES:

Net internal volume of the 18" low frequency driver chamber: 42 liters (each).

Perimeter of the mouth of the horn: 344,0 centimeters.

Medium length of the folded horn: 159,4 centimeters.

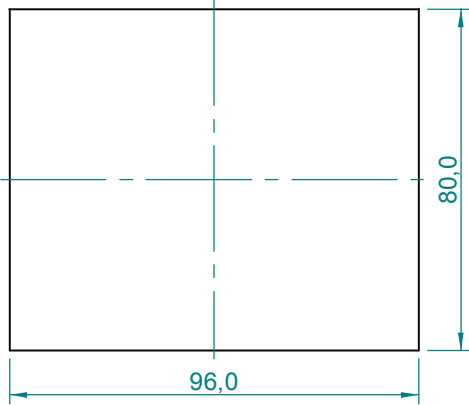
Cut off Frequency:

18" Speaker: Low: 40 Hz.  
High: 200 Hz.

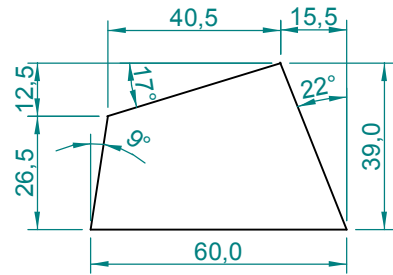
Reccomended Crossover: Active, Linkwitz-Riley, 24 dB/oct.

Item	Qty	Description	Material	Notes
1	2	Top/Botton	Plywood 20 mm	
2	1	Lateral 1	Plywood 20 mm	
3	1	Back	Plywood 20 mm	
4	1	Lateral 2	Plywood 20 mm	
5	1	Lateral 3	Plywood 20 mm	
6	1	Corner Plate 2	Plywood 20 mm	
7	1	Corner Plate 1	Plywood 20 mm	
8	1	Exponential 1	Plywood 20 mm	
9	1	Exponential 2	Plywood 20 mm	
10	1	Exponential 3	Plywood 20 mm	
11	1	Internal Panel	Plywood 20 mm	
12	1	Frame 1	Plywood 20 mm	
13	1	Frame 2	Plywood 20 mm	
14	2	Frame 3	Plywood 20 mm	
15	1	Lateral Panel	Plywood 20 mm	
16	2	Partition 1	Plywood 20 mm	
17	1	Partition 2	Plywood 20 mm	
18	1	Partition 3	Plywood 20 mm	
19	2	Partition 4	Plywood 20 mm	

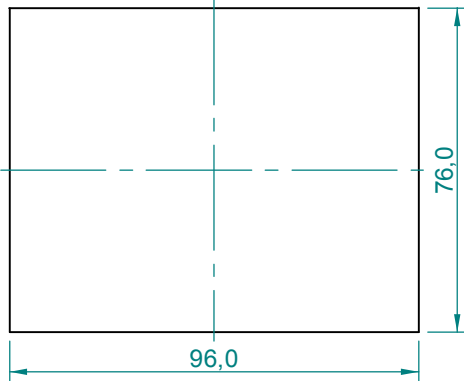
Specifications subject to  
change without notice.



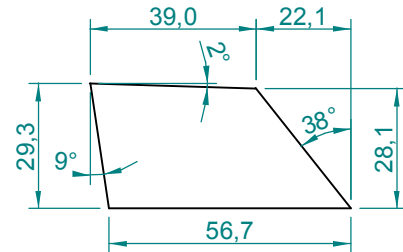
Item 2  
Qty: 1 piece



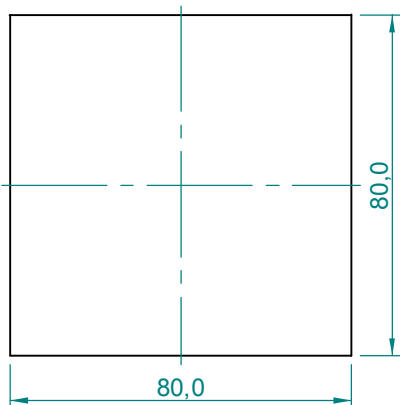
Item 16  
Qty: 2 pieces



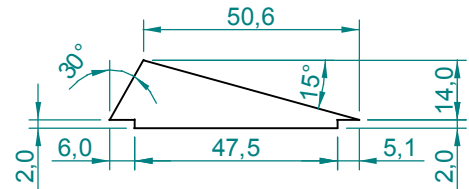
Item 3  
Qty: 1 piece



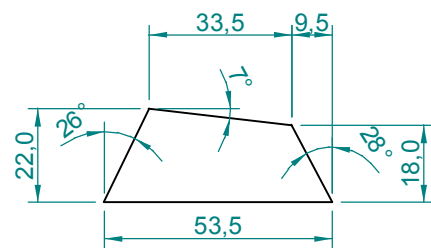
Item 18  
Qty: 1 piece



Item 1  
Qty: 2 pieces



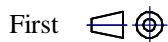
Item 17  
Qty: 1 piece



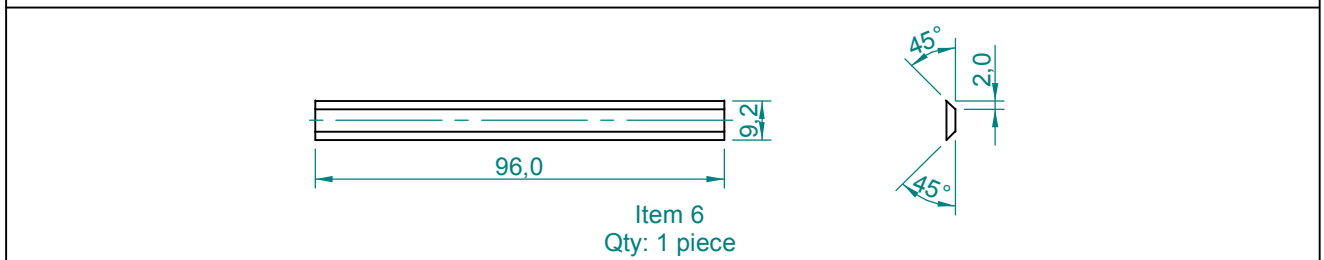
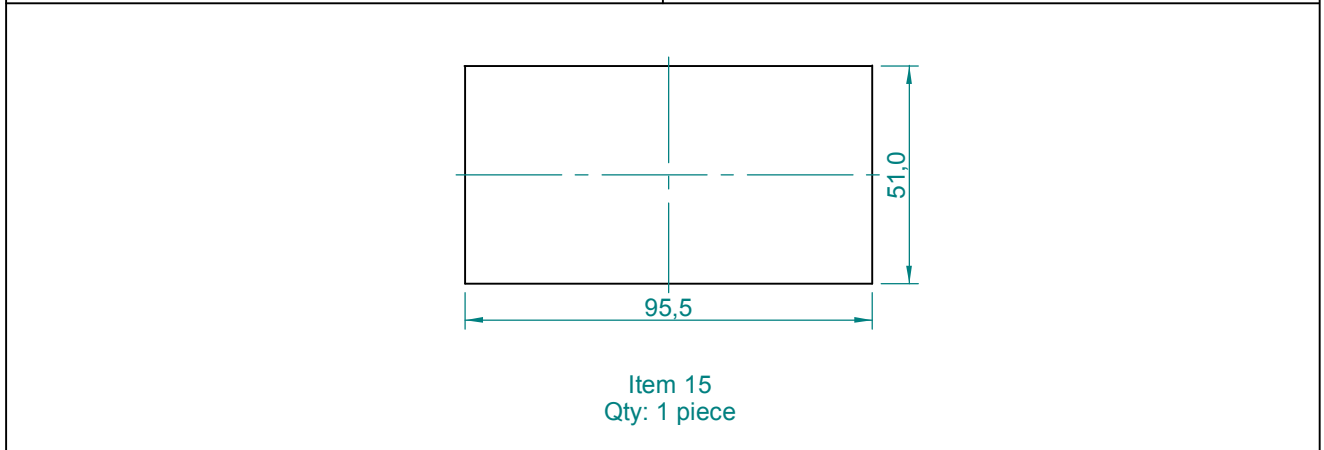
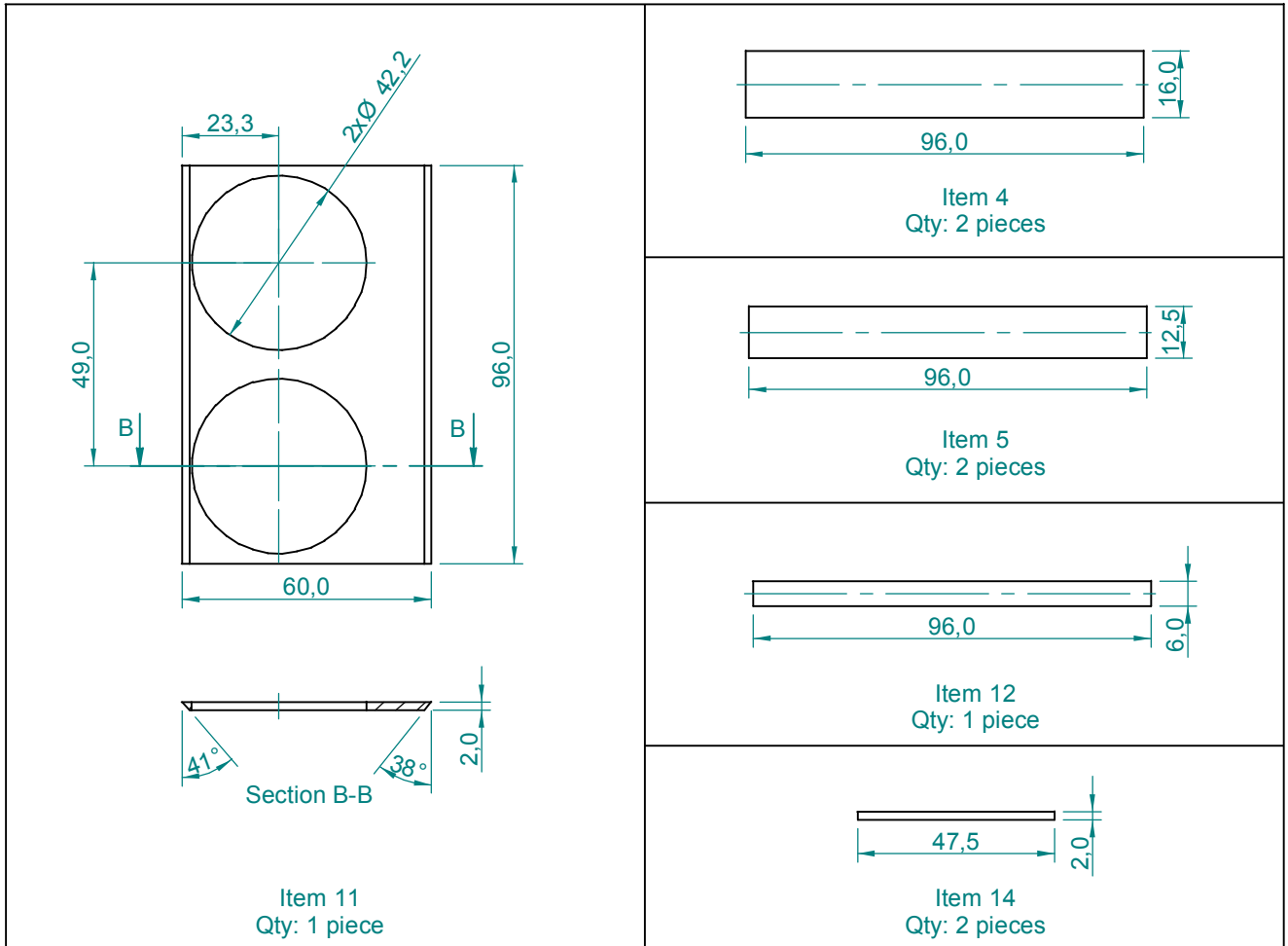
Item 19  
Qty: 2 pieces

Dimensions in cm.

Projection Angle:

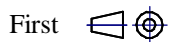


Specifications subject to  
change without notice.

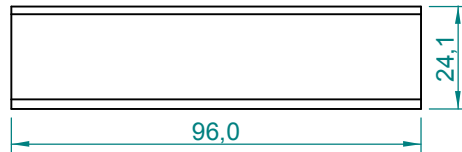


Dimensions in cm.

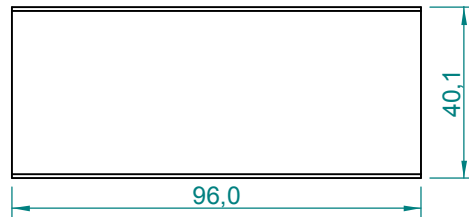
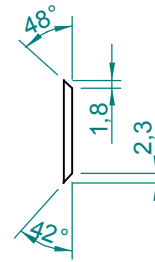
Projection Angle:



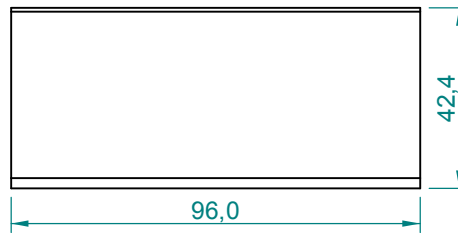
Specifications subject to  
change without notice.



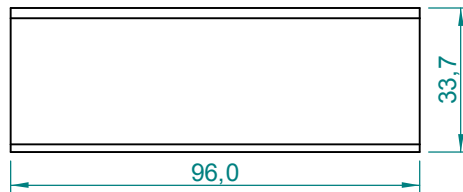
Item 7  
Qty: 1 piece



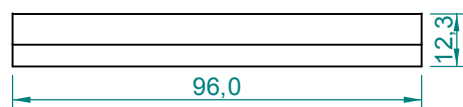
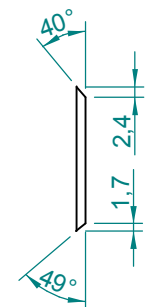
Item 10  
Qty: 1 piece



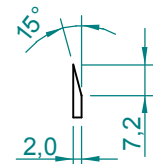
Item 9  
Qty: 1 piece



Item 8  
Qty: 1 piece

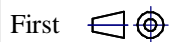


Item 13  
Qty: 1 piece



Dimensions in cm.

Projection Angle:



Specifications subject to  
change without notice.