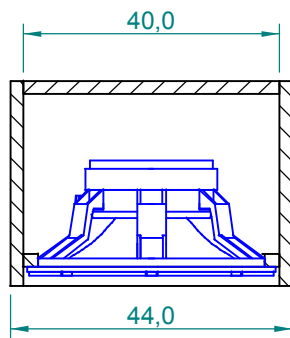
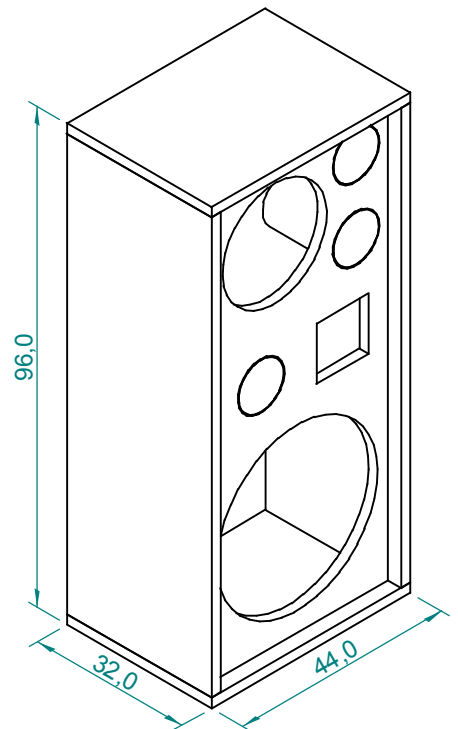


Section A-A



Section B-B



Dimensions in cm.

Projection Angle:

First

Specifications subject to
change without notice.

03/03 - Rev.: 01 - Page: 1/4

F:\CAIXAS ACÚSTICAS\DISCOTECA\D1505A1\D1505A1INGLÊS

EUROPE Address:
SELENIUM EUROPE
Germany
www.seleniumloudspeakers.com

USA Address:
SELENIUM USA
USA
www.seleniumloudspeakers.com

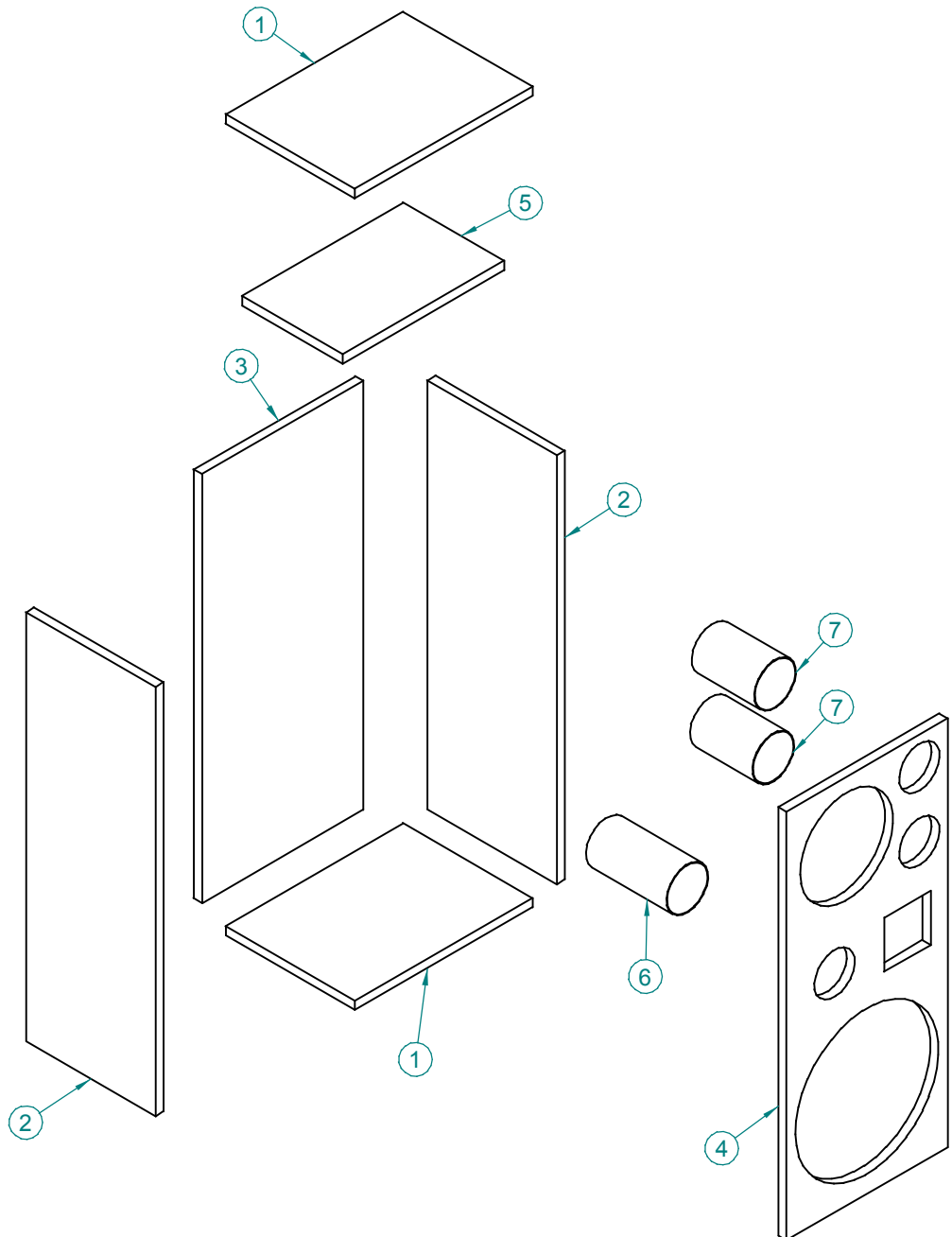
SELENIUM
LOUDSPEAKERS

BRAZIL Address:
ELETRÔNICA SELENIUM S.A.
BR 386 Km 435 / 92.480-000
Nova Santa Rita - RS - Brazil
Fax: +(55) 51 479-1120
www.selenium.com.br

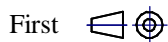
This cabinet is the necessary complement to the subwoofer cabinets, generally used in discos, where the cut off frequency is the 80-100 Hz range. The 15" unit is intended to reproduce the bass band from 80-100 Hz to 300 Hz. The 10MB1P speaker will cover the mid-bass range from 300 Hz to 1,200 Hz and the titanium driver D205TI will reproduce from 1,200 Hz up to the end of the audio band.

Components:

- WPU1505 or WPU1507 woofer (1 piece)
- 10MB1P mid-bass (1 piece)
- D205TI driver (1 piece)
- HM17-25 horn (1 piece)



Projection Angle:



Specifications subject to change without notice.

03/03 - Rev.: 01 - Page: 2/4

NOTES:

Net Internal Volume of the 15" Speaker Chamber: 50 liters.

Net Internal Volume of the 10" Speaker Chamber: 25 liters.

Cut off Frequencies:

15" Speaker: Low: 80 Hz - 100 Hz.
High: 300 Hz.

10" Speaker: Low: 300 Hz.
High: 1.200 Hz.

Driver: Low: 1.200 Hz.

Item	Qty	Description	Material	Notes
1	2	Top/Bottom	Plywood 20 mm	
2	2	Lateral	Plywood 20 mm	
3	1	Back	Plywood 20 mm	
4	1	Panel	Plywood 20 mm	
5	1	Partition	Plywood 20 mm	
6	1	Duct 1	Tube 100 mm Diameter	
7	2	Duct 2	Tube 100 mm Diameter	

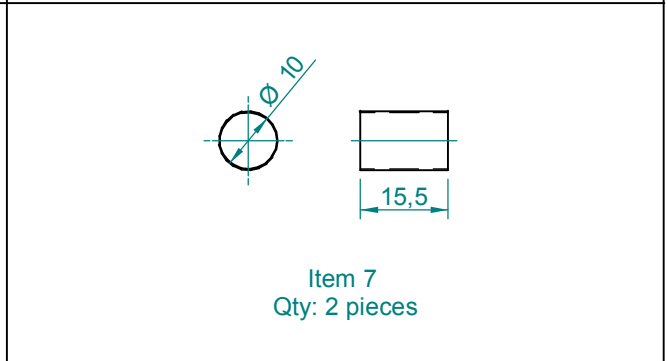
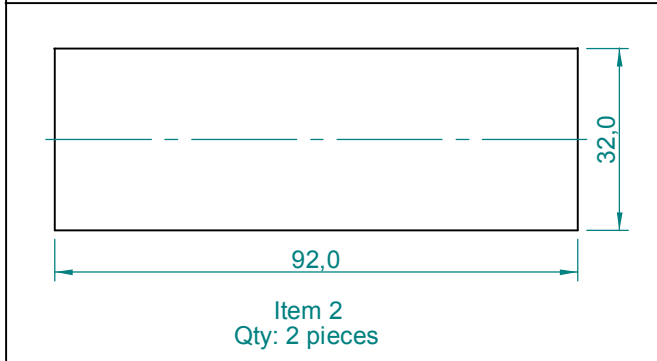
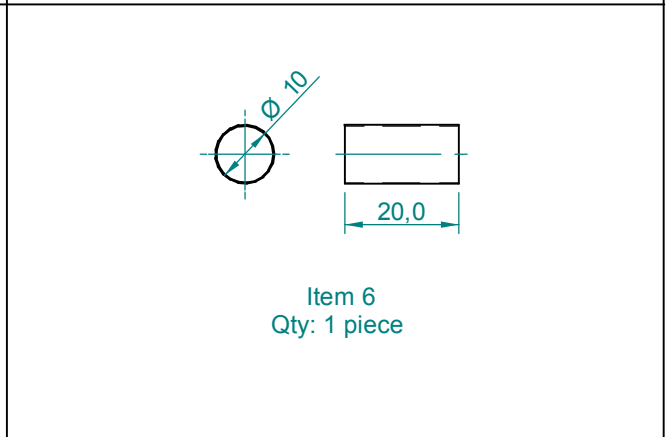
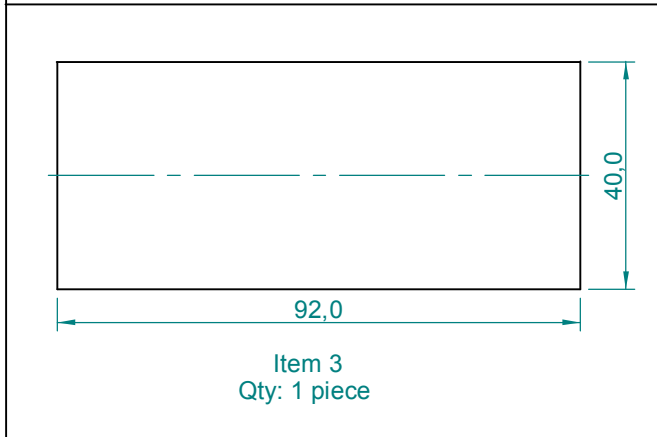
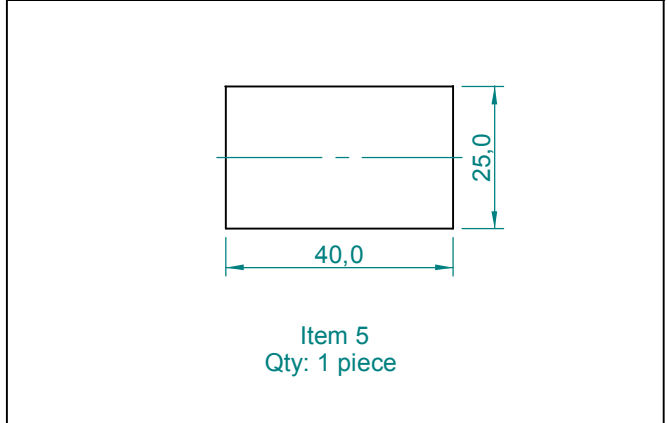
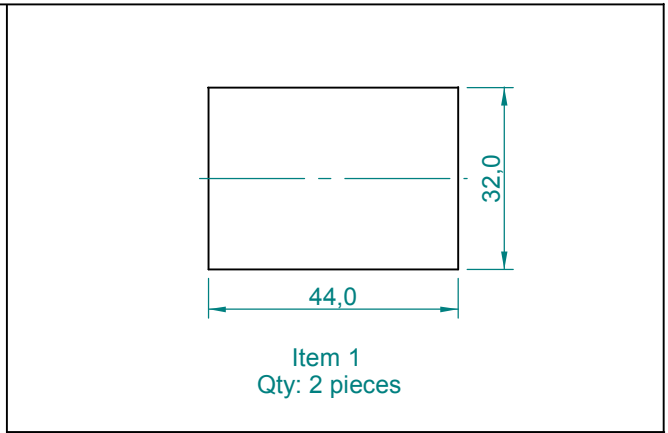
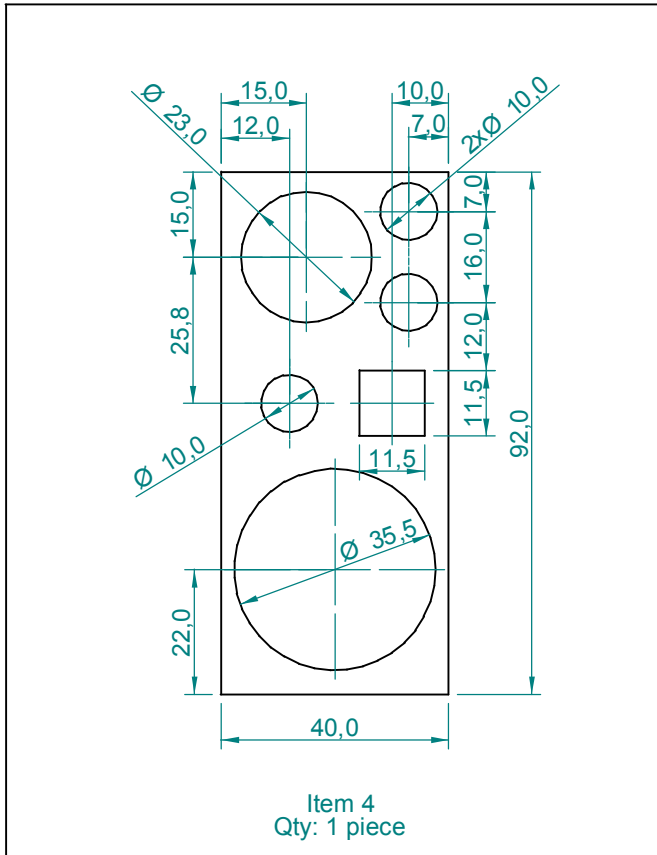
Specifications subject to
change without notice.

03/03 - Rev.: 01 - Page: 3/4

F:\CAIXAS ACÚSTICAS\DISCOTECA\D1505A1\D1505A1INGLÊS

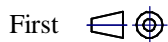
EUROPE Address:
SELENIUM EUROPE
Germany
www.seleniumloudspeakers.com

USA Address:
SELENIUM USA
USA
www.seleniumloudspeakers.com

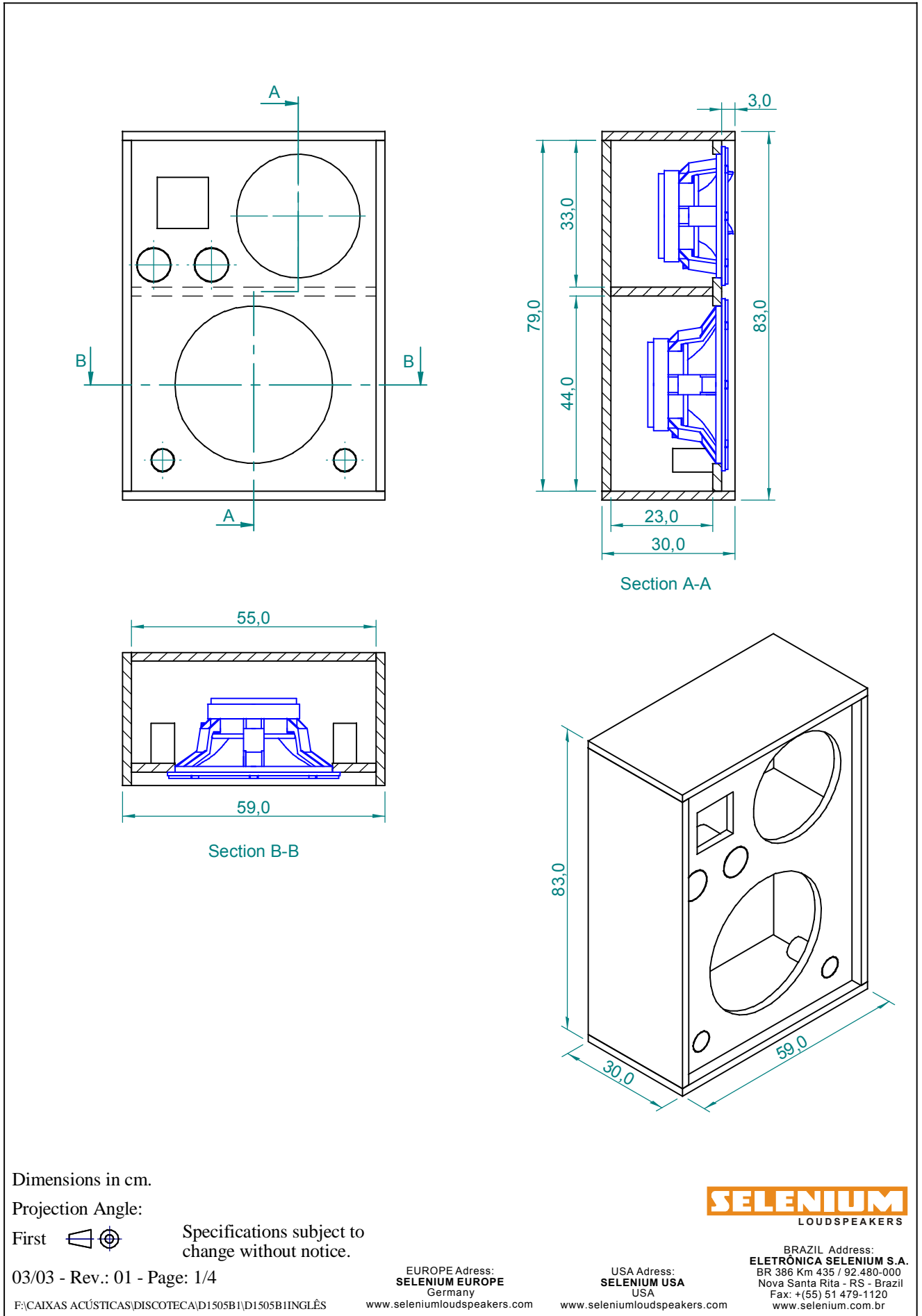


Dimensions in cm.

Projection Angle:



Specifications subject to
change without notice.



Dimensions in cm.

Projection Angle:

First

Specifications subject to change without notice.

03/03 - Rev.: 01 - Page: 1/4

F:\CAIXAS ACÚSTICAS\DISCOTECA\D1505B1\D1505B1INGLÊS

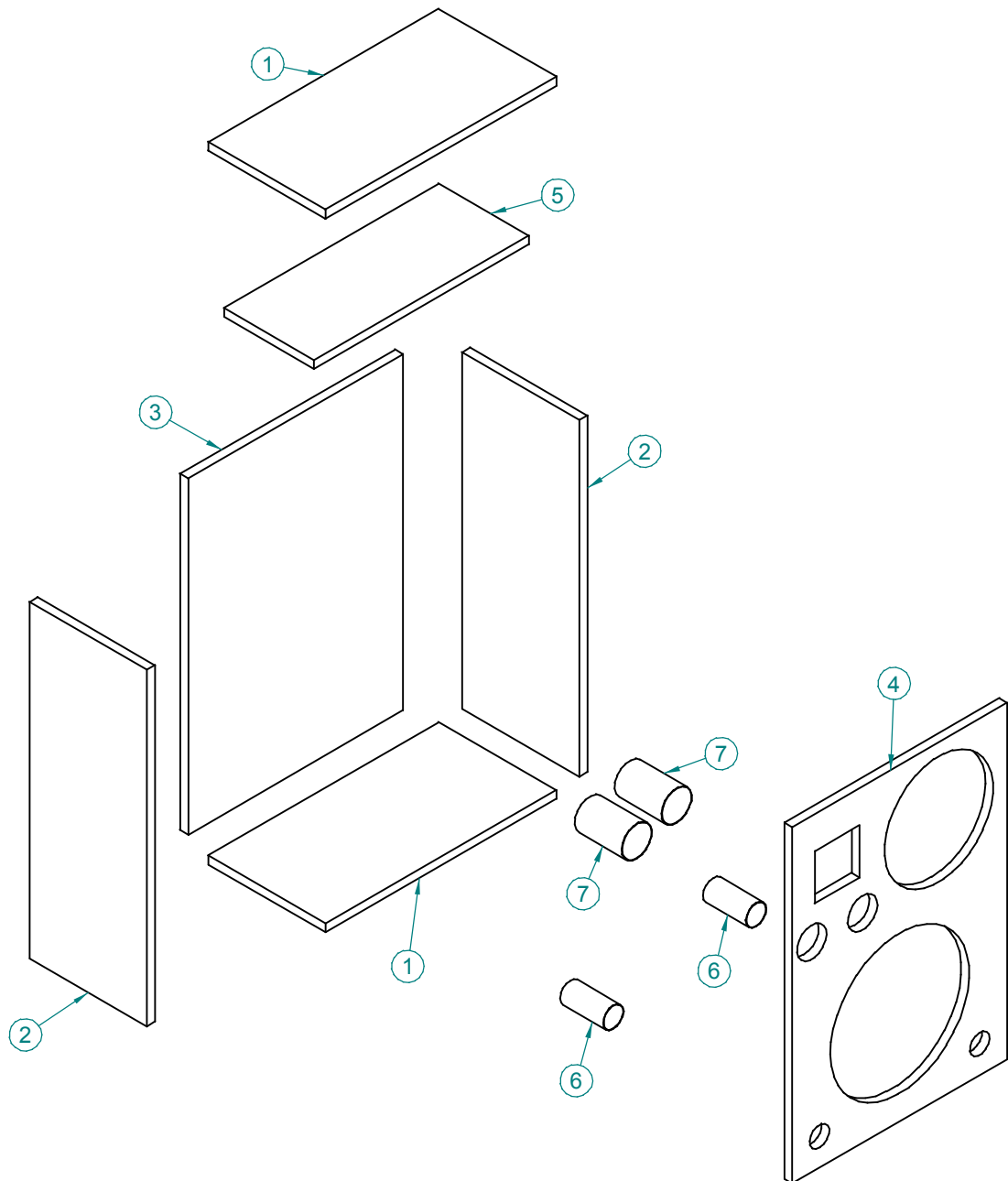
EUROPE Address:
SELENIUM EUROPE
Germany
www.seleniumloudspeakers.com

USA Address:
SELENIUM USA
USA
www.seleniumloudspeakers.com

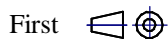
This cabinet is the necessary complement to the subwoofer cabinets, generally used in discos, where the cut off frequency is the 80-100 Hz range. The 15" unit is intended to reproduce the bass band from 80-100 Hz to 300 Hz. The 12" speaker will cover the mid-bass range from 300 Hz to 1,200 Hz and the titanium driver D205TI will reproduce from 1,200 Hz up to the end of the audio band.

Components:

- WPU1505 or WPU1507 woofer (1 piece)
- WPU1206 woofer (1 piece)
- D205TI driver (1 piece)
- HM17-25 horn (1 piece)



Projection Angle:



Specifications subject to change without notice.

03/03 - Rev.: 01 - Page: 2/4

NOTES:

Net Internal Volume of the 15" Speaker Chamber: 50 liters.

Net Internal Volume of the 12" Speaker Chamber: 37 liters.

Cut off Frequencies:

15" Speaker: Low: 80 Hz - 100 Hz.
High: 300 Hz.

12" Speaker: Low: 300 Hz.
High: 1,200 Hz.

Driver: Low: 1,200 Hz.

Item	Qty	Description	Material	Notes
1	2	Top/Bottom	Plywood 20 mm	
2	2	Lateral	Plywood 20 mm	
3	1	Back	Plywood 20 mm	
4	1	Panel	Plywood 20 mm	
5	1	Partition	Plywood 20 mm	
6	2	Duct 1	Tube 50 mm Diameter	
7	2	Duct 2	Tube 75 mm Diameter	

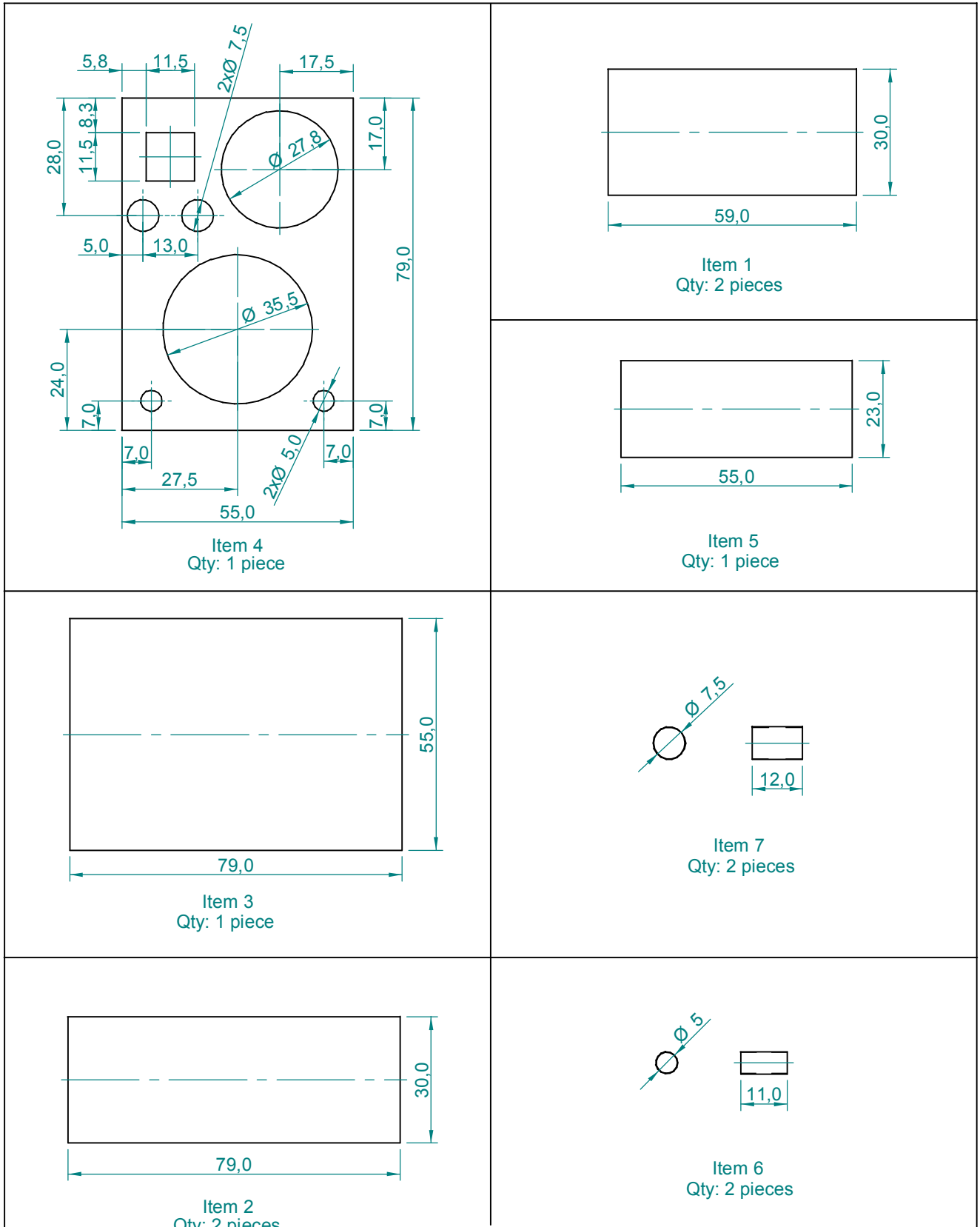
Specifications subject to
change without notice.

03/03 - Rev.: 01 - Page: 3/4

F:\CAIXAS ACÚSTICAS\DISCOTECA\D1505B1\D1505B1INGLÊS

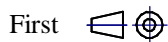
EUROPE Address:
SELENIUM EUROPE
Germany
www.seleniumloudspeakers.com

USA Address:
SELENIUM USA
USA
www.seleniumloudspeakers.com

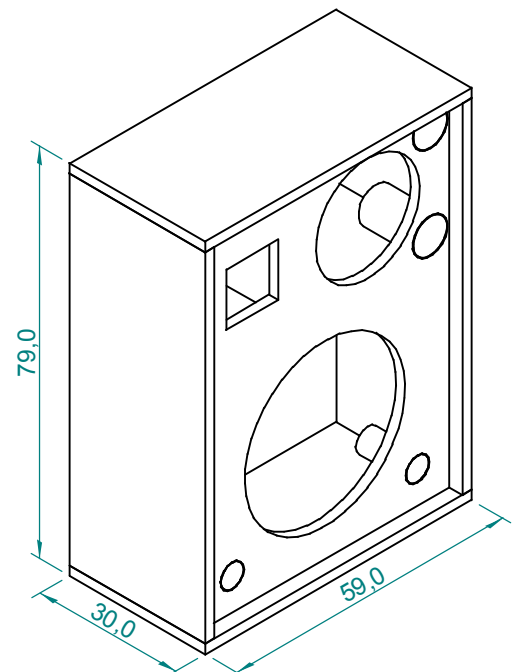
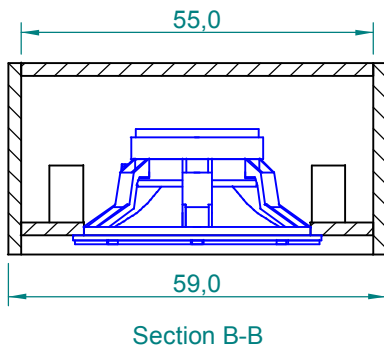
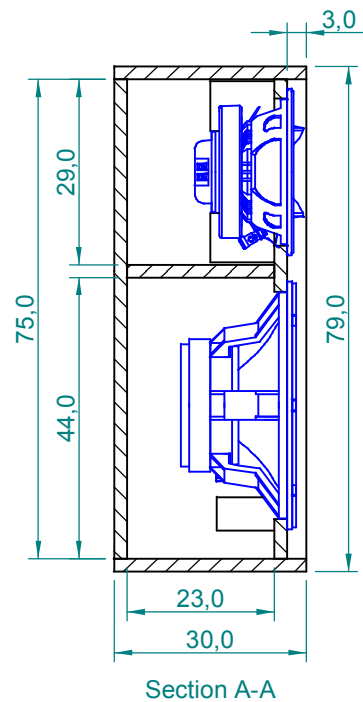
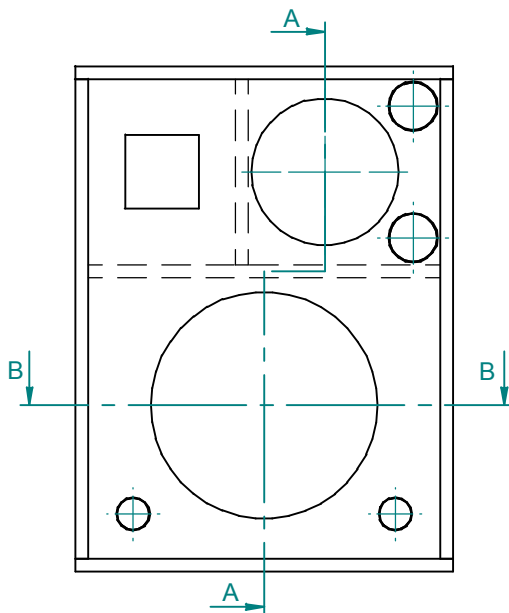


Dimensions in cm.

Projection Angle:



Specifications subject to change without notice.



Dimensions in cm.

Projection Angle:

First

Specifications subject to
change without notice.

03/03 - Rev.: 01 - Page: 1/4

F:\CAIXAS ACÚSTICAS\DISCOTECA\D1505C1\D1505C1INGLÊS

EUROPE Address:
SELENIUM EUROPE
Germany
www.seleniumloudspeakers.com

USA Address:
SELENIUM USA
USA
www.seleniumloudspeakers.com

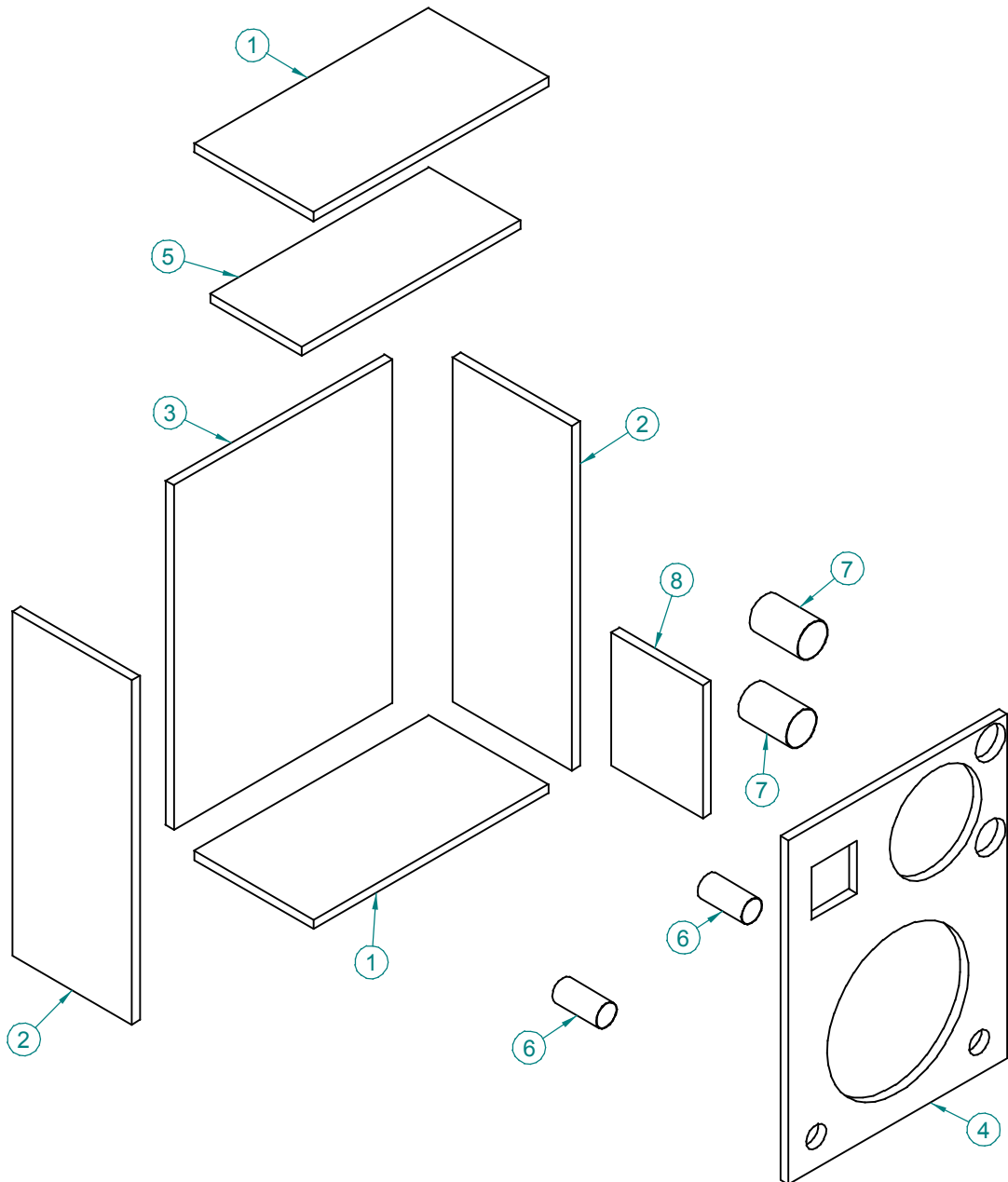
SELENIUM
LOUDSPEAKERS

BRAZIL Address:
ELETRÔNICA SELENIUM S.A.
BR 386 Km 435 / 92.480-000
Nova Santa Rita - RS - Brazil
Fax: +(55) 51 479-1120
www.selenium.com.br

This cabinet is the necessary complement to the subwoofer cabinets, generally used in discos, where the cut off frequency is the 80-100 Hz range. The 15" unit is intended to reproduce the bass band from 80-100 Hz to 300 Hz. The 10MB1P speaker will cover the mid-bass range from 300 Hz to 1,200 Hz and the titanium driver D205TI will reproduce from 1,200 Hz up to the end of the audio band.

Components:

- WPU1505 or WPU1507 woofer (1 piece)
- 10MB1P mid-bass (1 piece)
- D205TI driver (1 piece)
- HM17-25 horn (1 piece)



Projection Angle:

First

Specifications subject to change without notice.

03/03 - Rev.: 01 - Page: 2/4

NOTES:

Net Internal Volume of the 15" Speaker Chamber: 50 liters.

Net Internal Volume of the Mid-bass Chamber: 15 liters.

Cut off Frequencies:

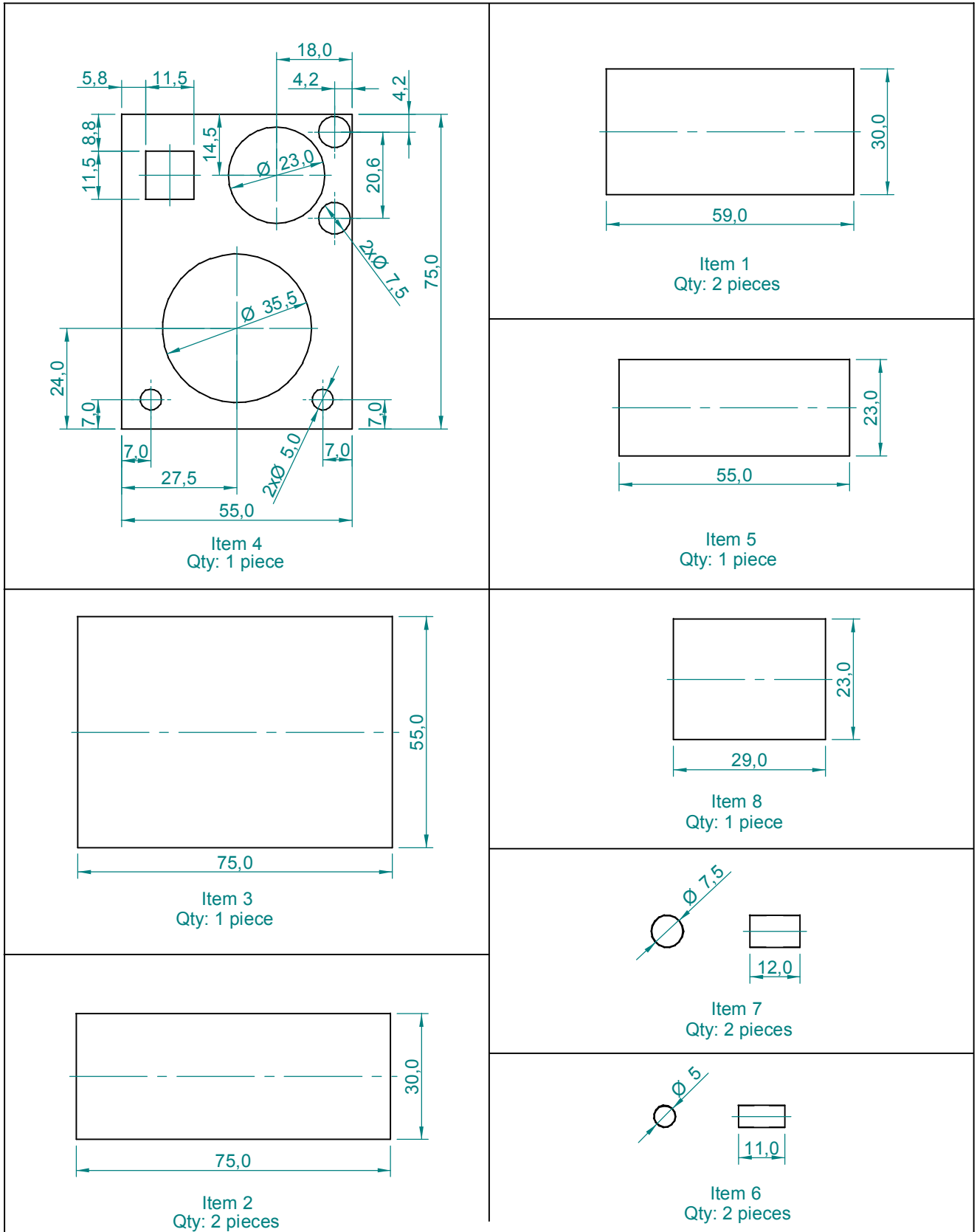
15" Speaker: Low: 80 Hz - 100 Hz.
High: 300 Hz.

Mid-bass: Low: 300 Hz.
High: 1,200 Hz.

Driver: Low: 1,200 Hz.

Item	Qty	Description	Material	Notes
1	2	Top/Botton	Plywood 20 mm	
2	2	Lateral	Plywood 20 mm	
3	1	Back	Plywood 20 mm	
4	1	Panel	Plywood 20 mm	
5	1	Partition 1	Plywood 20 mm	
6	2	Duct 1	Tube 50 mm Diameter	
7	2	Duct 2	Tube 75 mm Diameter	
8	1	Partition 2	Plywood 20 mm	

Specifications subject to
change without notice.



Dimensions in cm.

Projection Angle:

First

Specifications subject to change without notice.

03/03 - Rev.: 01 - Page: 4/4

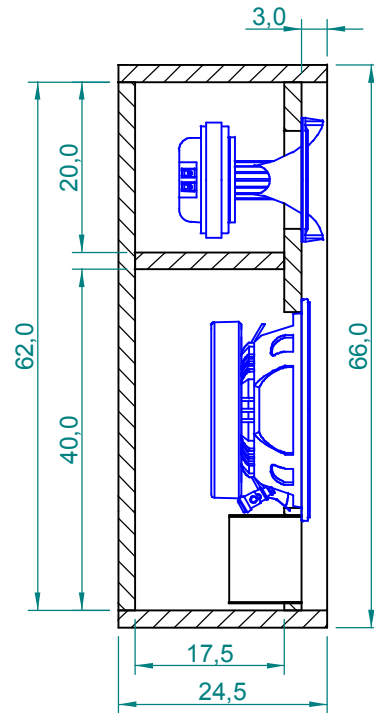
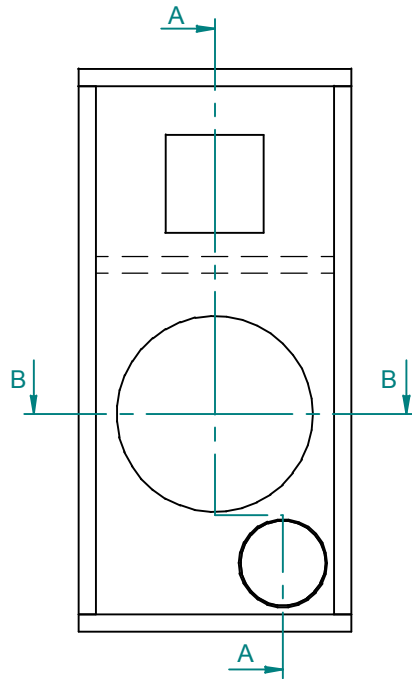
F:\CAIXAS ACÚSTICAS\DISCOTECA\D1505C1\D1505C1INGLÊS

EUROPE Address:
SELENIUM EUROPE
Germany
www.seleniumloudspeakers.com

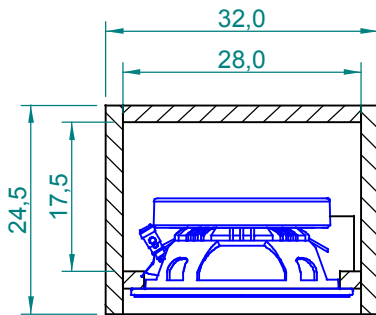
USA Address:
SELENIUM USA
USA
www.seleniumloudspeakers.com

SELENIUM
LOUDSPEAKERS

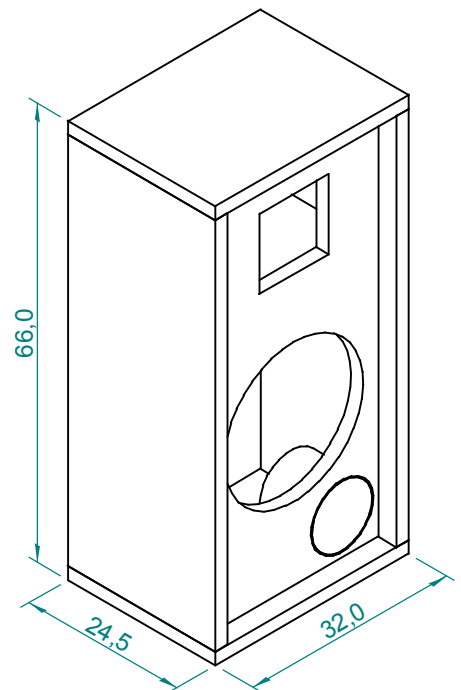
BRAZIL Address:
ELETRÔNICA SELENIUM S.A.
BR 386 Km 435 / 92.480-000
Nova Santa Rita - RS - Brazil
Fax: +(55) 51 479-1120
www.selenium.com.br



Section A-A



Section B-B



Dimensions in cm.

Projection Angle:

First

Specifications subject to change without notice.

03/03 - Rev.: 01 - Page: 1/4

F:\CAIXAS ACÚSTICAS\VENTED-BOX\VB10MB-A1\VB10MB-A11

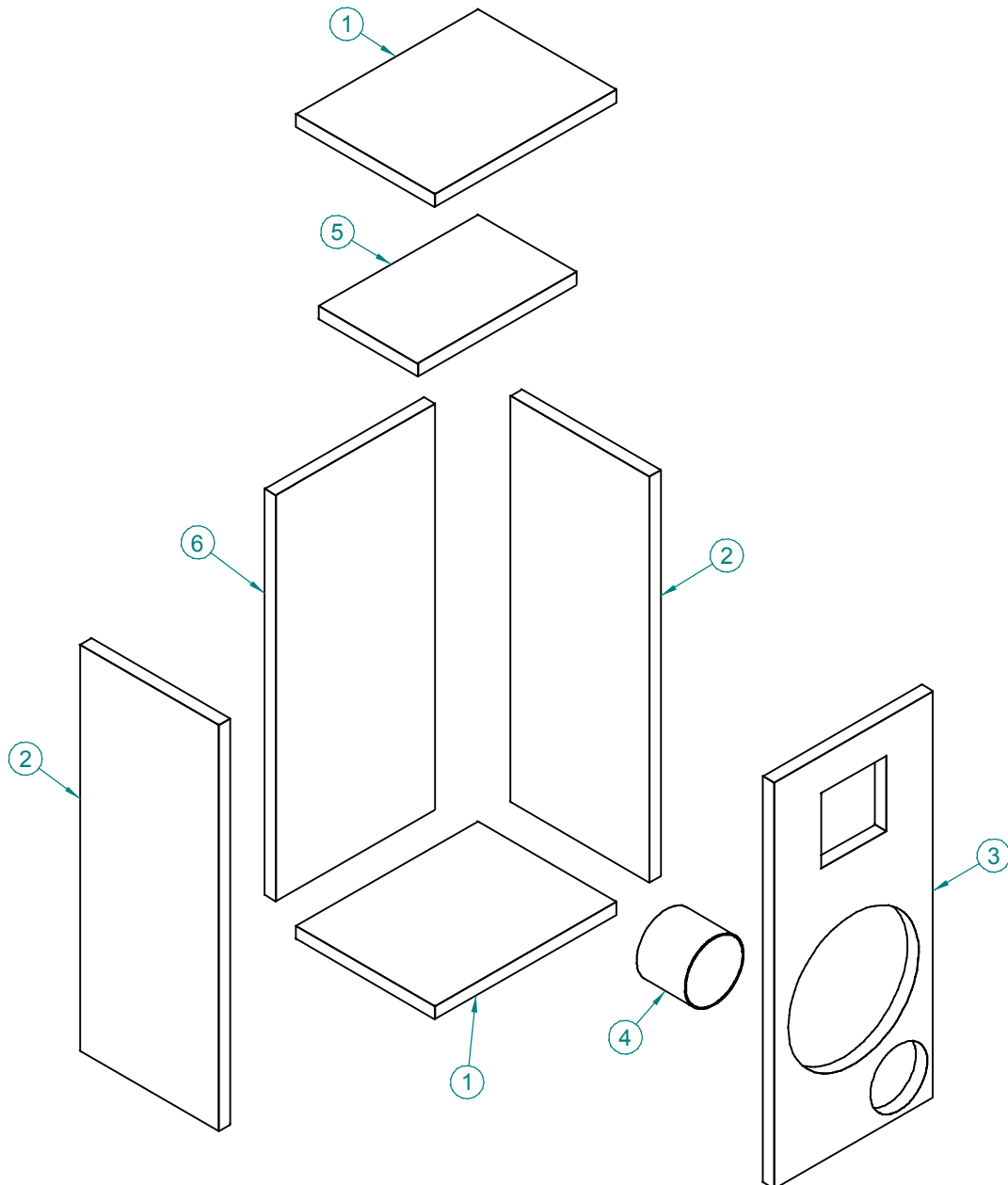
EUROPE Address:
SELENIUM EUROPE
Germany
www.seleniumloudspeakers.com

USA Address:
SELENIUM USA
USA
www.seleniumloudspeakers.com

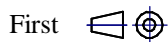
This cabinet may be used stand alone or along a subwoofer cabinet, to reinforce the frequencies below 80 Hz. The 10MB1P unit will work in the range from 80 Hz to 1,200 Hz.

Components:

- 10MB1P mid-bass (1 piece)
- D205TI driver (1 piece)
- HM17-25E horn (1 piece)
- HP2B8 crossover (1 piece)



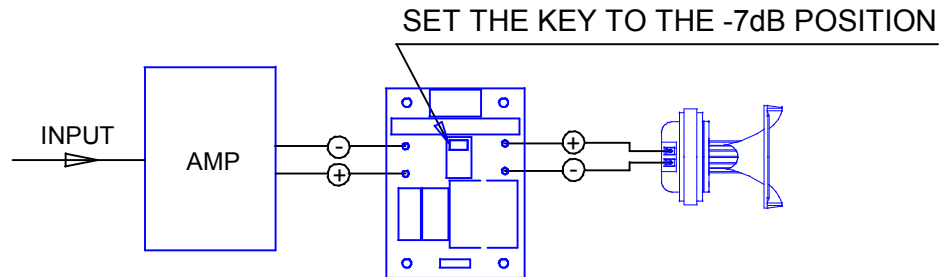
Projection Angle:



Specifications subject to change without notice.

03/03 - Rev.: 01 - Page: 2/4

Schematic drawing showing how to connect the DRIVER to the CROSSOVER unit:



NOTES:

Net Internal Volume of the Mid-Bass Chamber: 15 liters.
Fb: 100 Hz

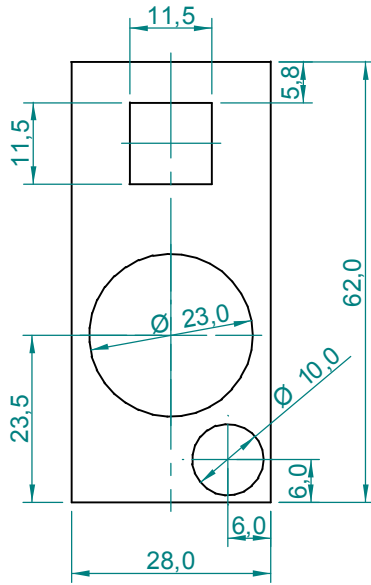
Cut off Frequencies:

Mid-Bass: Low: 80 Hz.
High: 1,200 Hz.

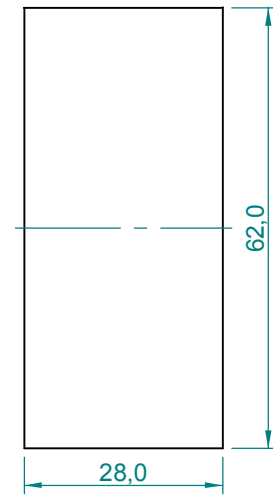
Driver: Low: 1,200 Hz.

Item	Qty	Description	Material	Notes
1	2	Top/Bottom	Plywood 20 mm	
2	2	Lateral	Plywood 20 mm	
3	1	Frontal Panel	Plywood 20 mm	
4	1	Duct	Tube 100 mm Diameter	
5	1	Partition	Plywood 20 mm	
6	1	Back	Plywood 20 mm	

Specifications subject to
change without notice.



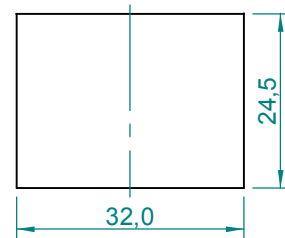
Item 3
Qty: 1 piece



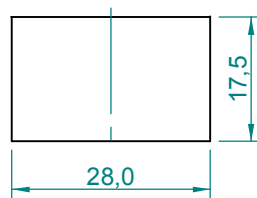
Item 6
Qty: 1 piece



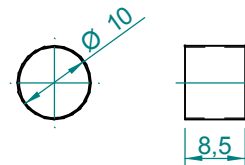
Item 2
Qty: 2 pieces



Item 1
Qty: 2 pieces



Item 5
Qty: 1 piece



Item 4
Qty: 1 piece

Dimensions in cm.

Projection Angle:

First

Specifications subject to
change without notice.

03/03 - Rev.: 01 - Page: 4/4

F:\CAIXAS ACÚSTICAS\VENTED-BOX\VB10MB-A1\VB10MB-A11

EUROPE Address:
SELENIUM EUROPE
Germany
www.seleniumloudspeakers.com

USA Address:
SELENIUM USA
USA
www.seleniumloudspeakers.com

SELENIUM
LOUDSPEAKERS

BRAZIL Address:
ELETRÔNICA SELENIUM S.A.
BR 386 Km 435 / 92.480-000
Nova Santa Rita - RS - Brazil
Fax: +(55) 51 479-1120
www.selenium.com.br