

### Features:

- Stage monitors, side-fill and P.A. applications.
- Reinforced fiberglass horn.
- 50 mm (2") throat.
- 60°(H) x 30°(V) nominal coverage.
- Metal bracket included (HS50).



### SPECIFICATIONS

Nominal coverage	
Horizontal .....	60 degrees
Vertical .....	30 degrees
Directivity	
Directivity factor (Q) .....	13
Directivity index (Di) .....	11 dB
Sensitivity	
On driver, 1W @ 1m, on axis <sup>1</sup> .....	107 dB SPL
Frequency response @ -10 dB <sup>2</sup> .....	400 to 15.000 Hz
Throat diameter .....	50 (2) mm (in)
Minimum recommended crossover <sup>3</sup> .....	400 Hz

<sup>1</sup> Measured with D405TI driver, 800 - 3,000 Hz average.

<sup>2</sup> Measured with D405TI driver.

<sup>3</sup> With D405 driver.

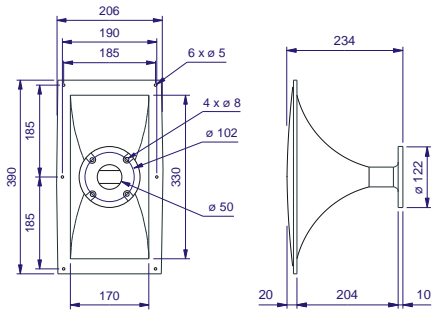
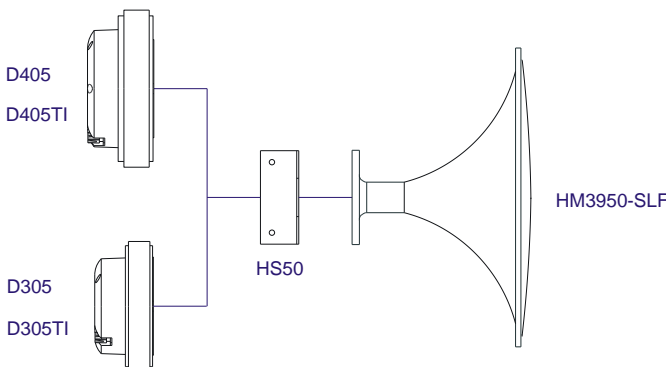
### ADDITIONAL INFORMATION

Horn material .....	Reinforced fiberglass
Horn finish .....	Black
Overall dimensions	
Mouth height .....	206 (8.11) mm (in)
Mouth width .....	390 (15.35) mm (in)
Length .....	234 (9.21) mm (in)
Volume displaced by horn .....	2.7 (0.095) l (ft <sup>3</sup> )
Net weight .....	1,400 (3.07) g (lb)
Gross weight .....	2,700 (5.95) g (lb)
Carton dimensions (W x D x H) .....	42 x 27 x 27.5 (16.5 x 10.6 x 10.8) cm (in)

### MOUNTING INFORMATION

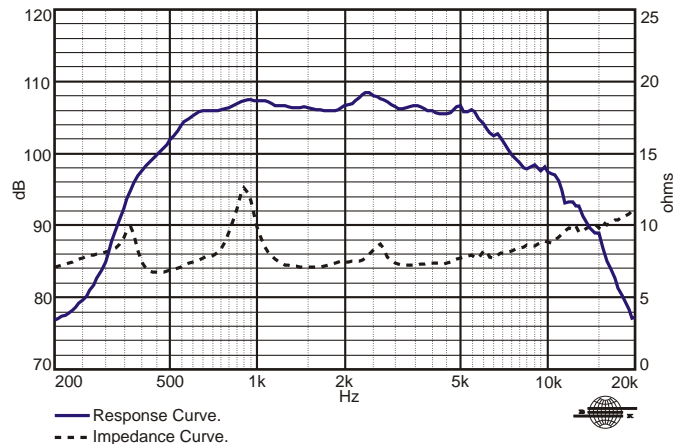
Mechanical connection of driver .....	Bolt on
Baffle cutout dimensions (front mount)	
Horizontal .....	330 (13.00) mm (in)
Vertical .....	170 (6.79) mm (in)

### HORN x DRIVER CONNECTION

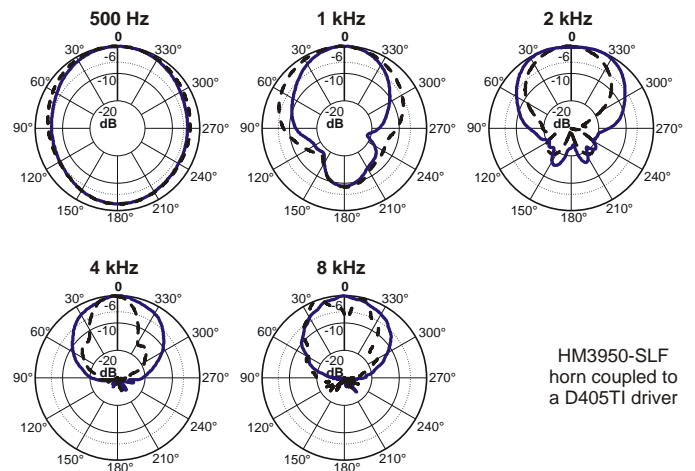


Dimensions in mm.

### RESPONSE AND IMPEDANCE CURVES W/ D405TI DRIVER INSIDE AN ANECHOIC CHAMBER, 1 W / 1 m



### POLAR RESPONSE CURVE



— Polar Response Curve, Horizontal.  
- - - Polar Response Curve, Vertical.

HM3950-SLF horn coupled to a D405TI driver