

### Features:

- Stage monitors, side-fill and P.A. applications.
- Compact size.
- Plastic bi-radial horn.
- 25 mm (1") throat.
- 60°(H) x 40°(V) nominal coverage.



### SPECIFICATIONS

Nominal coverage		
Horizontal	60	degrees
Vertical	40	degrees
Directivity		
Directivity factor (Q)	18	
Directivity index (Di)	13	dB
Sensitivity		
On driver, 1W @ 1m, on axis <sup>1</sup>	105	dB SPL
Frequency response @ -10 dB <sup>2</sup>	1,500 to 20,000	Hz
Throat diameter	25 (1)	mm (in)
Minimum recommended crossover <sup>3</sup>	1,500	Hz

<sup>1</sup> Measured with DH200E driver, 1,500 - 8,000 Hz average.

<sup>2</sup> Measured with DH200E driver.

<sup>3</sup> With DH200E driver.

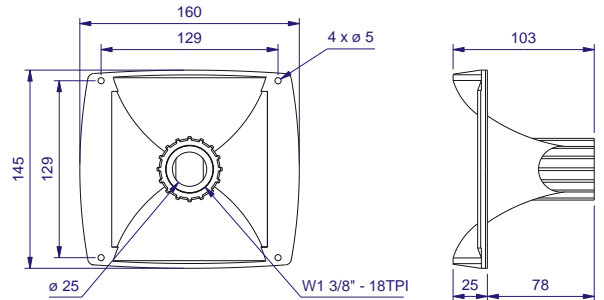
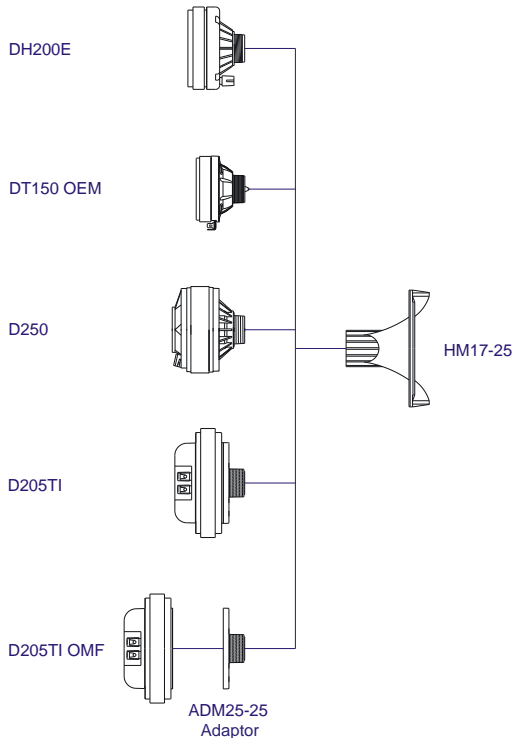
### ADDITIONAL INFORMATION

Horn material	PP plastic
Horn finish	Black
Overall dimensions	
Mouth height	145 (5.71) mm (in)
Mouth width	160 (6.30) mm (in)
Length	103 (4.06) mm (in)
Volume displaced by horn	0.2 (0.007) l (ft <sup>3</sup> )
Net weight (1 piece)	150 (0.33) g (lb)
Gross weight (6 pieces per carton)	1,280 (2.82) g (lb)
Carton dimensions (W x D x H)	31 x 23 x 19 (12.2 x 9.1 x 7.5) cm (in)

### MOUNTING INFORMATION

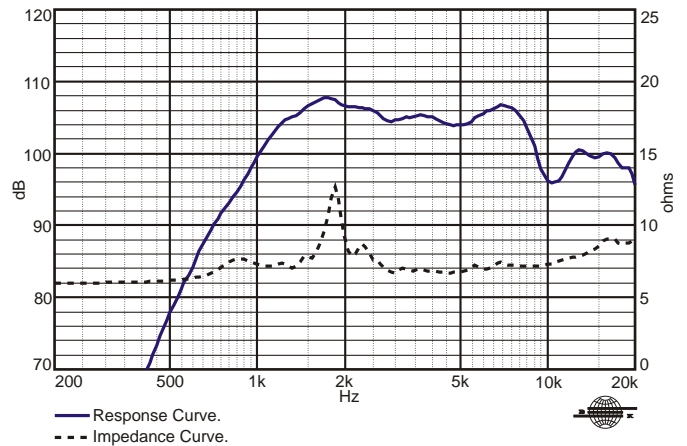
Mechanical connection of driver	Screw-on 1 <sup>3</sup> / <sub>8</sub> " - 18 TPI
Baffle cutout dimensions (front mount)	
Horizontal	115 (4.53) mm (in)
Vertical	115 (4.53) mm (in)

### HORN x DRIVER CONNECTION

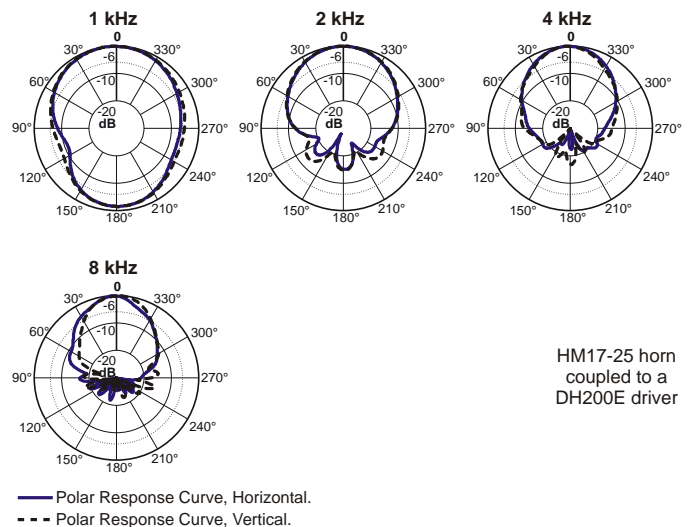


Dimensions in mm.

### RESPONSE AND IMPEDANCE CURVES W/ DH200E DRIVER INSIDE AN ANECHOIC CHAMBER, 1 W / 1 m



### POLAR RESPONSE CURVE



HM17-25 horn coupled to a DH200E driver