

- Features:
- Side-fill and P.A. applications.
 - Reinforced fiberglass horn.
 - 50 mm (2") throat.
 - 40°(H) x 20°(V) nominal coverage.
 - Metal bracket included (HS50).



SPECIFICATIONS

Nominal coverage		
Horizontal	40	degrees
Vertical	20	degrees
Directivity		
Directivity factor (Q)	53	
Directivity index (Di)	17	dB
Sensitivity		
On driver, 1W @ 1m, on axis ¹	112	dB SPL
Frequency response @ -10 dB ²	500 to 20.000	Hz
Throat diameter	50 (2)	mm (in)
Minimum recommended crossover ³	400	Hz

¹ Measured with D4400Ti driver, 800 - 3,000 Hz average.
² Measured with D4400Ti driver.
³ With D405 driver.

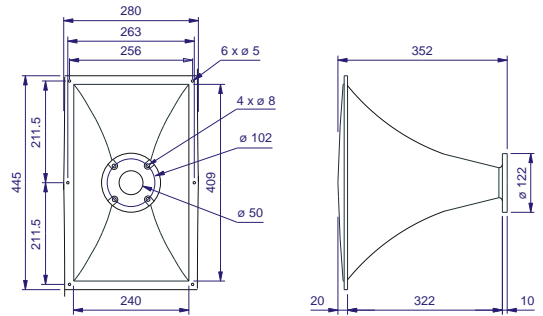
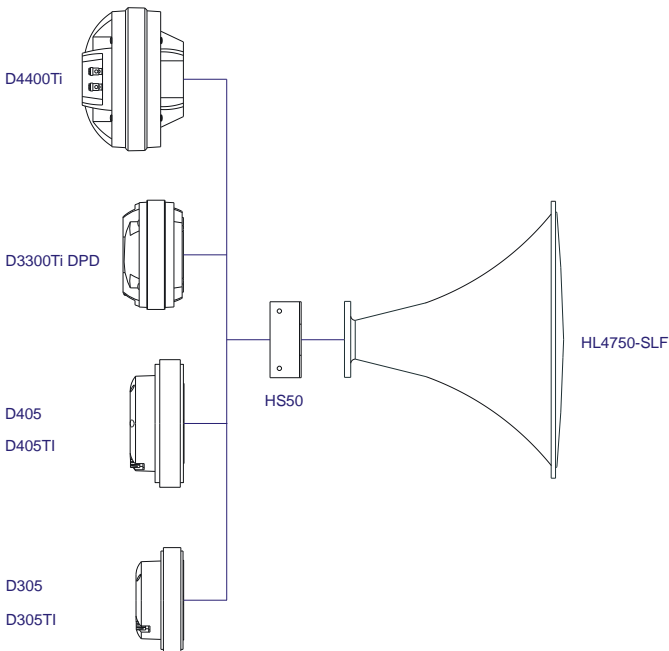
ADDITIONAL INFORMATION

Horn material	Reinforced fiberglass
Horn finish	Black
Overall dimensions	
Mouth height	280 (11.02) mm (in)
Mouth width	445 (17.52) mm (in)
Length	352 (13.86) mm (in)
Volume displaced by horn	4.1 (0.145) l (ft ³)
Net weight	1,900 (4.19) g (lb)
Gross weight	3,600 (7.94) g (lb)
Carton dimensions (W x D x H)	47.5 x 29 x 40 (18.7 x 11.4 x 15.8) cm (in)

MOUNTING INFORMATION

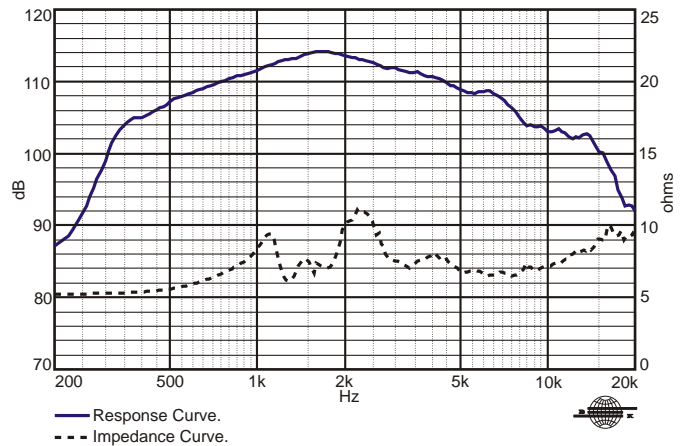
Mechanical connection of driver	Bolt on
Baffle cutout dimensions (front mount)	
Horizontal	405 (15.95) mm (in)
Vertical	240 (9.45) mm (in)

HORN x DRIVER CONNECTION

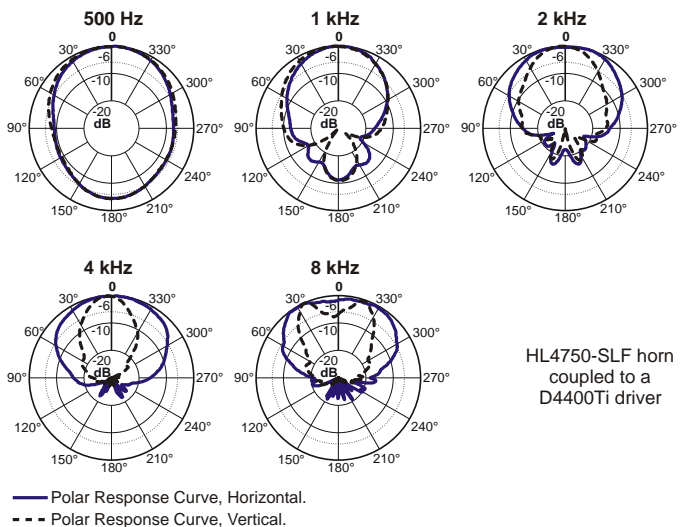


Dimensions in mm.

RESPONSE AND IMPEDANCE CURVES W/ D4400Ti DRIVER INSIDE AN ANECHOIC CHAMBER, 1 W / 1 m



POLAR RESPONSE CURVE



HL4750-SLF horn coupled to a D4400Ti driver