

**Features:**

- Side-fill, P.A. and outdoor sound systems applications.
- Fiberglass horn.
- 50 mm (2") throat.
- 120°(H) x 40°(V) nominal coverage.
- Metal bracket included (HS50).



**SPECIFICATIONS**

Nominal coverage	
Horizontal .....	120 degrees
Vertical .....	40 degrees
Directivity	
Directivity factor (Q) .....	10
Directivity index (Di) .....	10 dB
Sensitivity	
On driver, 1W @ 1m, on axis <sup>1</sup> .....	108 dB SPL
Frequency response @ -10 dB <sup>2</sup> .....	400 to 8,000 Hz
Throat diameter .....	50 (2) mm (in)
Minimum recommended crossover <sup>3</sup> .....	400 Hz

<sup>1</sup> Measured with D305 driver, 800 - 3,000 Hz average.  
<sup>2</sup> Measured with D305 driver.  
<sup>3</sup> With D405 driver.

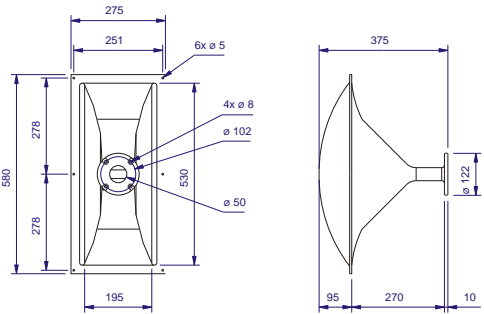
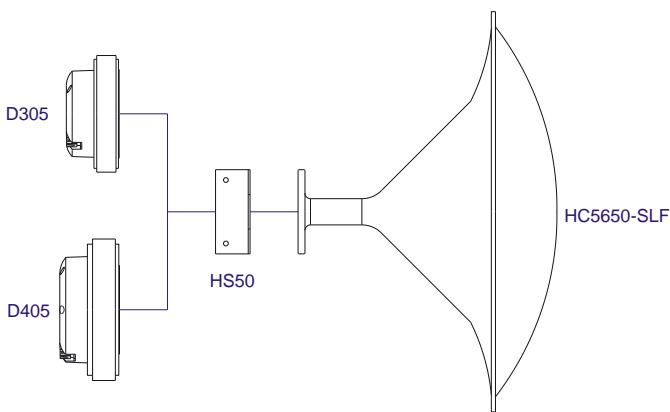
**ADDITIONAL INFORMATION**

Horn material .....	Fiberglass
Horn finish .....	Black
Overall dimensions	
Mouth height .....	275 (10.83) mm (in)
Mouth width .....	580 (22.84) mm (in)
Length .....	375 (14.76) mm (in)
Volume displaced by horn .....	3.2 (0.113) l (ft <sup>3</sup> )
Net weight .....	2,400 (5.29) g (lb)
Gross weight .....	4,000 (8.82) g (lb)
Carton dimensions (W x D x H) .....	62 x 30.5 x 43 (24.4 x 12 x 16.9) cm (in)

**MOUNTING INFORMATION**

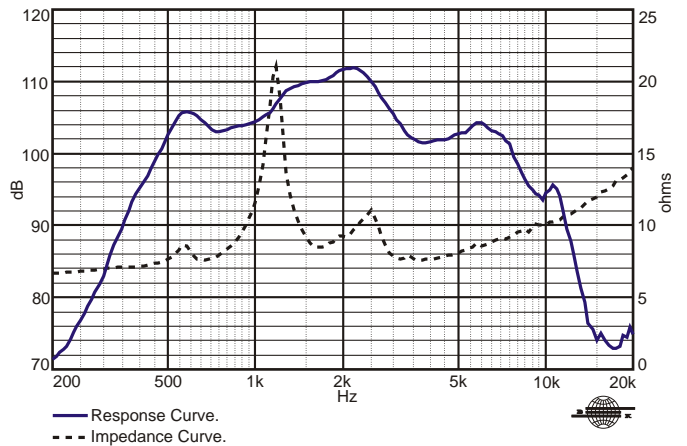
Mechanical connection of driver .....	Bolt on
Baffle cutout dimensions (front mount)	
Horizontal .....	535 (21.06) mm (in)
Vertical .....	205 (8.07) mm (in)

**HORN x DRIVER CONNECTION**

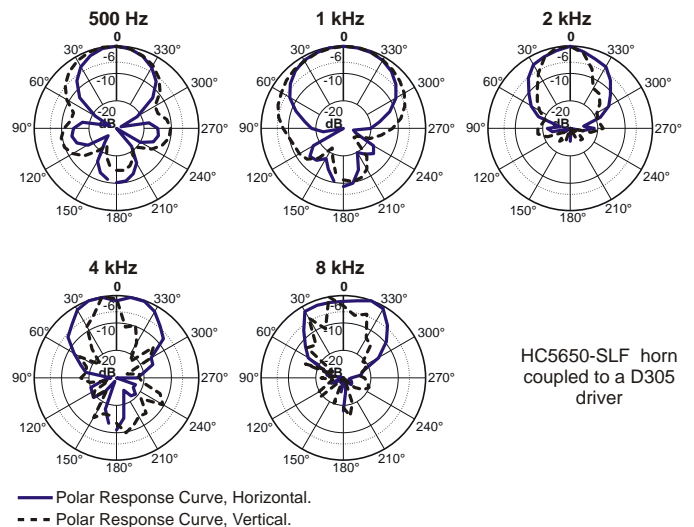


Dimensions in mm.

**RESPONSE AND IMPEDANCE CURVESW/ D305 DRIVER INSIDE AN ANECHOIC CHAMBER, 1 W / 1 m**



**POLAR RESPONSE CURVE**



HC5650-SLF horn coupled to a D305 driver