

Features:

- Side-fill, P.A. and outdoor sound systems applications.
- Fiberglass horn.
- 25 mm (1") throat.
- 120°(H) x 40°(V) nominal coverage.



SPECIFICATIONS

| | |
|--|-----------------|
| Nominal coverage | |
| Horizontal | 120 degrees |
| Vertical | 40 degrees |
| Directivity | |
| Directivity factor (Q) | 10 |
| Directivity index (Di) | 10 dB |
| Sensitivity | |
| On driver, 1W @ 1m, on axis ¹ | 107 dB SPL |
| Frequency response @ -10 dB ² | 400 to 9,000 Hz |
| Throat diameter | 25 mm (1) |
| Minimum recommended crossover ³ | 500 Hz |

¹ Measured with D250 driver, 500 - 2,000 Hz average.
² Measured with D250 driver.
³ With D250 driver.

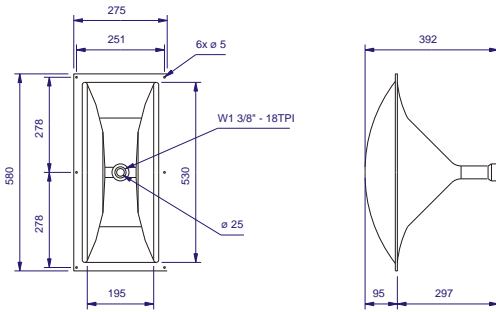
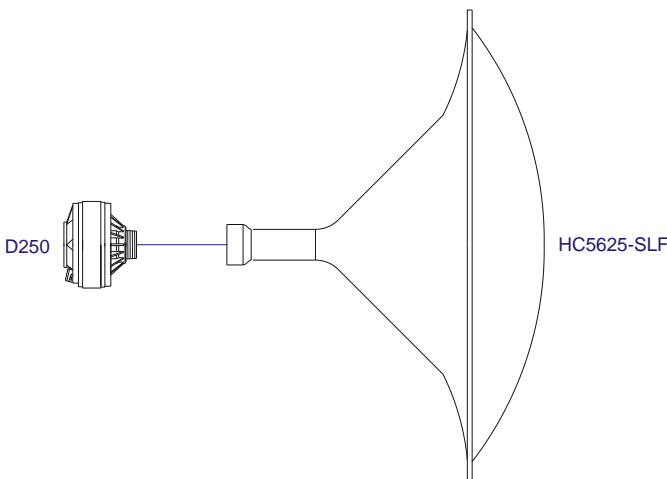
ADDITIONAL INFORMATION

| | |
|-------------------------------------|---|
| Horn material | Fiberglass |
| Horn finish | Black |
| Overall dimensions | |
| Mouth height | 275 (10.83) mm (in) |
| Mouth width | 580 (22.84) mm (in) |
| Length | 392 (15.43) mm (in) |
| Volume displaced by horn | 3.2 (0.113) l (ft ³) |
| Net weight | 2,300 (5.07) g (lb) |
| Gross weight | 3,700 (8.16) g (lb) |
| Carton dimensions (W x D x H) | 62 x 30.5 x 43 (24.4 x 12 x 16.9) cm (in) |

MOUNTING INFORMATION

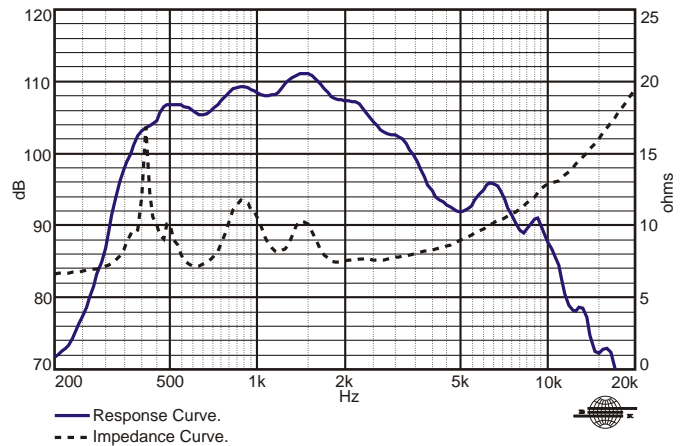
| | |
|--|---|
| Mechanical connection of driver | Screw-on 1 ³ / ₈ " - 18 TPI |
| Baffle cutout dimensions (front mount) | |
| Horizontal | 535 (21.06) mm (in) |
| Vertical | 205 (8.07) mm (in) |

HORN x DRIVER CONNECTION

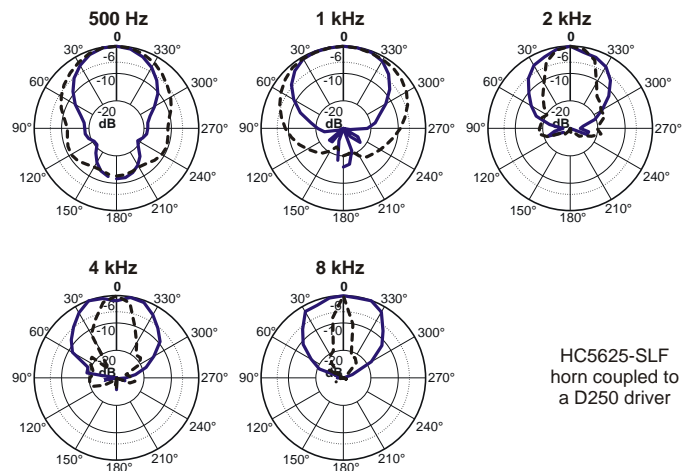


Dimensions in mm.

RESPONSE AND IMPEDANCE CURVES W/ D250 DRIVER INSIDE AN ANECHOIC CHAMBER, 1 W / 1 m



POLAR RESPONSE CURVE



HC5625-SLF horn coupled to a D250 driver

— Polar Response Curve, Horizontal.
 - - - Polar Response Curve, Vertical.